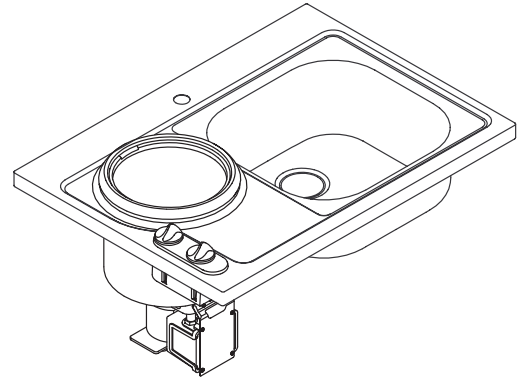


### FEATURES

- 36" x 25-3/4"
- 18 gauge Stainless Steel
- Single-hole drilling
- Double compartment with smaller basin for cooking vessel
- Full countertop installation on 36" base cabinet



### CODES/STANDARDS APPLICABLE

Specified model meets or exceeds the following:

- ASME/ANSI A112.19.3M
- IAPMO/UPC
- Underwriters Laboratories (UL) Listed
- Canadian Standards Association (CSA)

### COLORS/FINISHES

- NA None Applicable

#### Accessories:

- CP Polished Chrome

### SPECIFIED MODEL:

Model	Description	Colors/Finishes
K-3309-1	Single-hole sink	<input type="checkbox"/> NA
<b>Recommended Accessories</b>		
K-6340-BP	ProAvatar™ faucet	<input type="checkbox"/> CP

### PRODUCT SPECIFICATION:

The sink shall be 36" in length, and 25-3/4" in width. Sink shall be made of 18 gauge stainless steel. Sink shall be single-hole drilling. Sink shall be double compartment with smaller basin for cooking vessel. Sink shall be full countertop installation on 36" base cabinet. Sink shall be Kohler Model K-3309-1.

