

Ordering Information

Applicable product:		
4-hole	K-5810-4	shown
3-hole	K-5810-3	not shown
2-hole	K-5810-2	not shown
Accessories/hardware:		
ProAvatar™ faucet	K-6340-BP	recommended

Requirements Electrical Service

Ground-Fault Circuit-Interrupter (GFCI) protection is recommended. Follow all local electrical codes.	
Junction box	240 V., 15 A., 60 Hz

Product Information

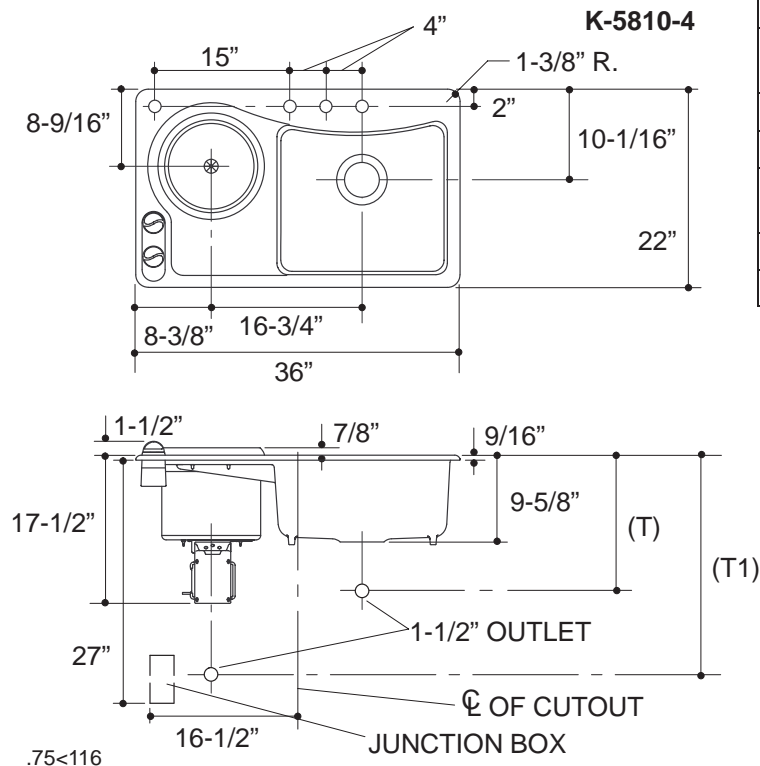
Fixture*:	Outlet	basin area	water depth
Sink, small	1" D.	9-1/2" D.	6-1/2 quart
Sink, large	3-7/8" D.	19" x 18"	8-1/2
Faucet and spout holes	1-3/8" D.		
* Approximate measurements for comparison only.			

Cooking vessel rating:	240V., 7 A., 60 Hz
------------------------	--------------------

Included components:	
Home owners guide	86565-5
Cook book	85641
Trim kit	86574
Wire rack	87354
Cutting board	87353
Cookware set	97590

Installation Notes

Refer to installation instructions included with fixture before beginning installation.



Roughing-In Notes	
Fixture dimensions are nominal and conform to tolerances in ASME/ANSI Standard A112.19.1M.	
(T) Drain 14".	
(T1) Drain 21".	
Spout must be 9" long (min.) and 13-7/8" high (min.) for adequate clearance into basins.	
36" minimum base cabinet required.	
Cutout	34-3/4" x 20-3/4" with 1" radius corners.

