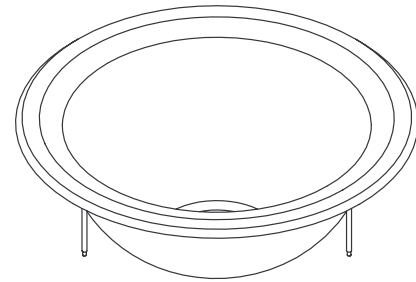


FEATURES

- 15" Diameter
- 18 gauge Stainless Steel
- Single compartment
- Self-rimming



CODES/STANDARDS APPLICABLE

Specified model meets or exceeds the following:

- ASME/ANSI A112.19.3M
- IAPMO/UPC
- Canadian Standards Association (CSA)

COLORS/FINISHES

- NA None Applicable

Accessories:

- CP Polished Chrome

SPECIFIED MODEL:

Model	Description	Colors/Finishes
K-3319	Self-rimming sink	<input type="checkbox"/> NA

Recommended Accessories		
K-6340-BP	ProAvatar™ faucet	<input type="checkbox"/> CP

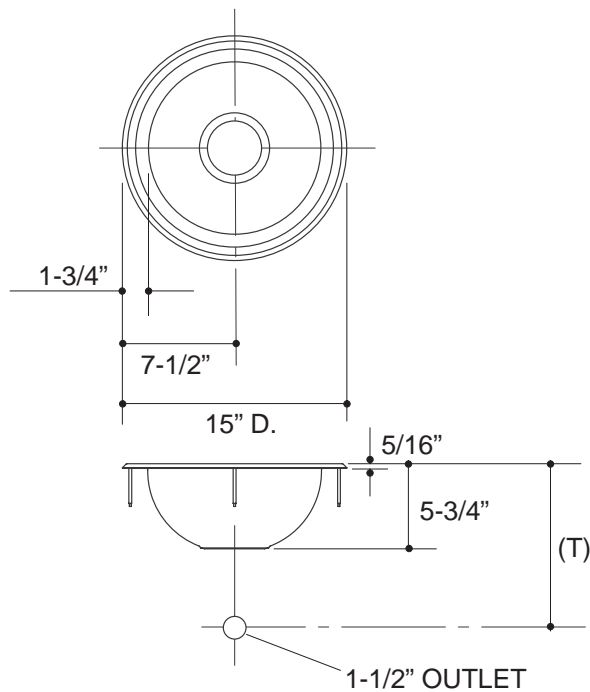
PRODUCT SPECIFICATION:

The self-rimming sink shall be 15" in diameter. Sink shall be made of 18 gauge stainless steel. Sink shall be single compartment. Sink shall be Kohler Model K-3319.

PRO TASKSINK™

PRODUCT INFORMATION

Fixture*:		basin area	water depth
Sink		11-1/2" D.	5-1/4"
Outlet	3-5/8" D.		
Included components:			
Installation hardware		56655	
Wire rack		87363	
Cutout template		86567-7	



Roughing-In Notes

(T) Drain typically 10-7/8".

1.25>116

PRODUCT DIAGRAM