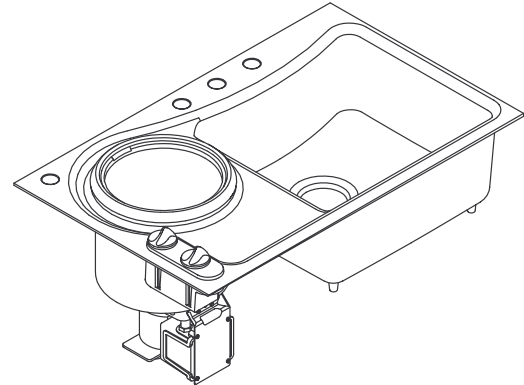


FEATURES

- 36" x 22"
- Cast iron
- 4-hole (K-5811-4), 3-hole (K-5811-3) or 2-hole (K-5811-2) drilling
- Double compartment with smaller basin for cooking vessel
- Tile-in



CODES/STANDARDS APPLICABLE

Specified model meets or exceeds the following:

- ASME/ANSI A112.19.1M
- IAPMO/UPC
- Underwriters Laboratories (UL) Listed
- Canadian Standards Association (CSA)

COLORS/FINISHES

- 0 White
- Other Refer to Fixtures Price Book for additional colors

Accessories:

- CP Polished Chrome

SPECIFIED MODEL:

Model	Description	Colors/Finishes	
K-5811-4	4-hole sink	<input type="checkbox"/> 0 White	<input type="checkbox"/> Other _____
K-5811-3	3-hole sink	<input type="checkbox"/> 0 White	<input type="checkbox"/> Other _____
K-5811-2	2-hole sink	<input type="checkbox"/> 0 White	<input type="checkbox"/> Other _____
Recommended Accessories			
K-6340-BP	ProAvatar™ faucet	<input type="checkbox"/> CP	

PRODUCT SPECIFICATION:

The tile-in sink shall be 36" in length, and 22" in width. Sink shall be made of cast iron. Sink shall have 4-hole (K-5811-4), 3-hole (K-5811-3) or 2-hole (K-5811-2) drilling. Sink shall be double compartment with smaller basin for cooking vessel. Sink shall be Kohler Model K-5811-_____-_____.

PRO COOKCENTER™

REQUIRED ELECTRICAL SERVICE

Ground-Fault Circuit-Interrupter (GFCI) protection is recommended. Follow all local electrical codes.

Junction box	240 V., 15 A., 60 Hz
--------------	----------------------

PRODUCT INFORMATION

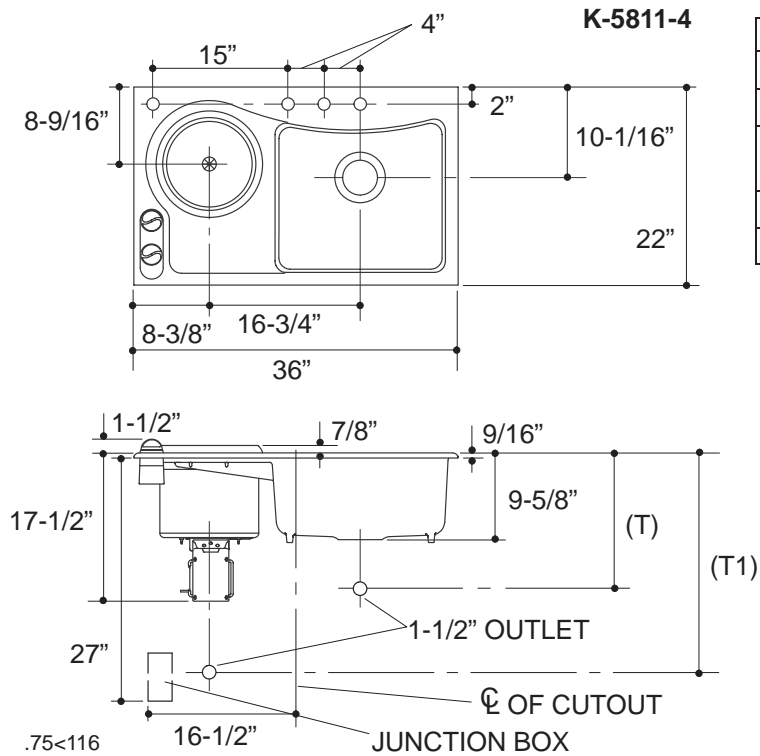
Fixture*:	Outlet	basin area	water depth
Sink, small	1" D.	9-1/2" D.	6-1/2 quart
Sink, large	3-7/8" D.	19" x 18"	8-1/2
Faucet and spout holes	1-3/8" D.		

* Approximate measurements for comparison only.

Cooking vessel rating:	240V., 7 A., 60 Hz
------------------------	--------------------

Included components:

Cook book	85641
Home owners guide	86565-5
Trim kit	86574
Wire rack	87354
Cutting board	87353
Cookware set	97590



Roughing-In Notes

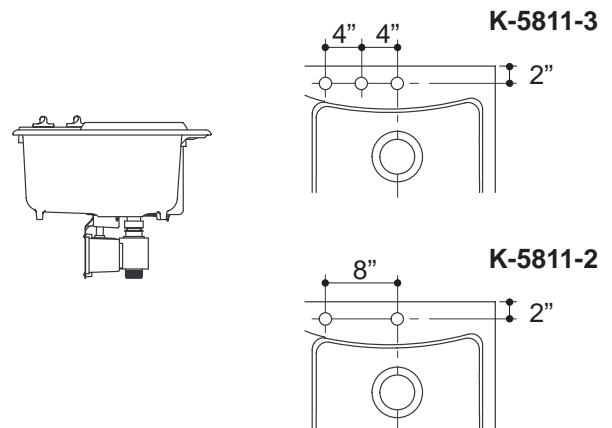
(T) Drain 14".

(T1) Drain 21".

Spout must be 9" long (min.) and 13-7/8" high (min.) for adequate clearance into basins.

36" minimum base cabinet required.

Cutout	34-3/4" x 20-3/4" with 1" radius corners.
--------	---



PRODUCT DIAGRAM

K-5811 PRO CookCenter™ Sink

Page 2 of 2

86569-4-AA (A)

THE BOLD LOOK
OF **KOHLER**®