

Ordering Information

Applicable product:		
4-hole	K-5811-4	shown
3-hole	K-5811-3	not shown
2-hole	K-5811-2	not shown
Accessories/hardware:		
ProAvatar™ faucet	K-6340-BP	recommended

Required Electrical Service

Ground-Fault Circuit-Interrupter (GFCI) protection is recommended. Follow all local electrical codes.	
Junction box	120/240 V., 15 A., 60 Hz, 3-wire with ground.

Product Information

Fixture*:	Outlet	basin area	water depth
Cooking vessel	Ø25mm	Ø241mm	6 litres
Sink, large	Ø98mm	483 x 457mm	216mm
Faucet and spout holes	Ø35mm		

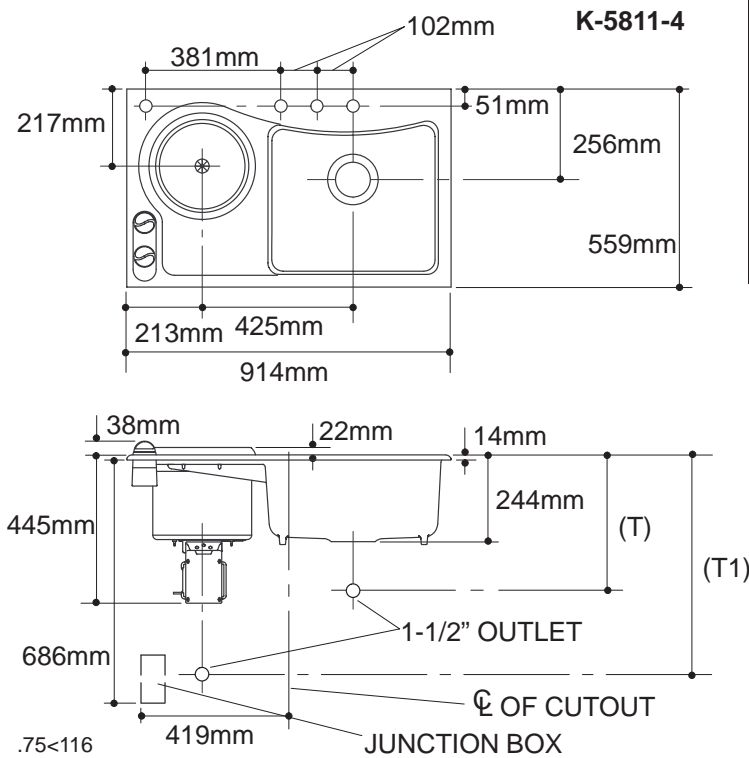
* Approximate measurements for comparison only.

Cooking vessel rating:	120/240V., 2300 W., 60 Hz, 3-wire with ground.
------------------------	--

Included components:	
Cook book	85641
Home owners guide	86565-5
Trim kit	86574
Wire rack	87354
Cutting board	87353
Cookware set	97590

Installation Notes

Refer to installation instructions included with fixture before beginning installation.



Roughing-In Notes

Fixture dimensions are nominal and conform to tolerances in ASME/ANSI Standard A112.19.1M.	
(T) Drain 356mm.	
(T1) Drain 533mm.	
Spout must be 229mm long (min.) and 352mm high (min.) for adequate clearance into basins.	
914mm minimum base cabinet required.	
Cutout	883 x 527mm with 25mm radius corners.

