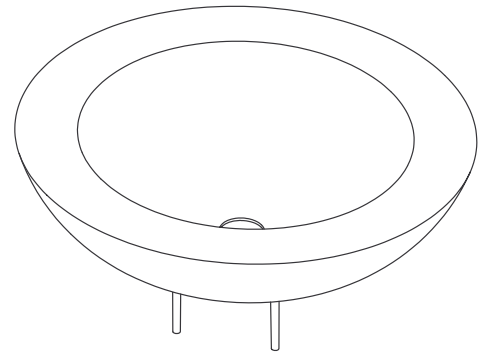


## FEATURES

- 19-1/4" D.
- 18 gauge stainless steel
- Above-the-counter
- Satin finish (-S)
- Mirror finish (-M)
- Installation hardware included
- No overflow, PVC tube and drain gasket included to cover overflow hole in faucet drain assembly
- Internal sound proofing
- With sealant



## CODES/STANDARDS APPLICABLE

Specified model meets or exceeds the following:

- ASME/ANSI A112.19.3M
- Canadian Standards Association (CSA)

## COLORS/FINISHES

- NA Not Applicable

### Accessories:

- CP Polished Chrome
- NA Not Applicable
- Other Refer to Faucets Price Book for additional finishes

## SPECIFIED MODEL:

Model	Description	Colors/Finishes
K-2277-S	Lavatory with satin finish	<input type="checkbox"/> NA
K-2277-M	Lavatory with mirror finish	<input type="checkbox"/> NA

Recommended Accessories			
K-9018	P-trap	<input type="checkbox"/> CP	<input type="checkbox"/> Other _____
K-T196	Falling Water faucet trim with 8-1/4" spout <b>OR</b>	<input type="checkbox"/> CP	<input type="checkbox"/> Other _____
K-T197	Falling Water faucet trim with 9" spout <b>OR</b>	<input type="checkbox"/> CP	<input type="checkbox"/> Other _____
K-T198	Falling Water faucet trim with 10-1/4" spout <b>OR</b>	<input type="checkbox"/> CP	<input type="checkbox"/> Other _____
K-T199	Falling Water faucet trim with 10" spout	<input type="checkbox"/> CP	<input type="checkbox"/> Other _____
K-307-K	Single control ceramic valve*	<input type="checkbox"/> NA	
K-7710	Drain <b>OR</b>	<input type="checkbox"/> CP	<input type="checkbox"/> Other _____
K-7715	Grid drain <b>OR</b>	<input type="checkbox"/> CP	<input type="checkbox"/> Other _____
K-7702	Pop-up drain	<input type="checkbox"/> CP	<input type="checkbox"/> Other _____

\*Valve must be ordered to complete Falling Water faucet.

## PRODUCT SPECIFICATION:

The round lavatory shall be 19-1/4" D. Lavatory shall be made of 18 gauge stainless steel. Lavatory shall be above-the-counter installation. Lavatory shall have satin finish (-S) or mirror finish (-M). Lavatory shall include installation hardware. Lavatory shall have PVC tube and drain gasket to cover overflow hole in faucet drain assembly. Lavatory shall have internal sound proofing. Lavatory shall include sealant. Lavatory shall be Kohler Model K-2277-\_\_\_\_\_-NA.

## PRODUCT INFORMATION

Fixture*:		basin area	water depth
Lavatory		15-3/4" D.	4-1/2"
Outlet	1-5/8" D.		

Included Components:	
Adhesive sealant	63034
Drain gasket	33507
Tube	62603
Basin clamp assembly	88007
Cutout template	86744-7

## INSTALLATION NOTES

Product does not have an overflow.

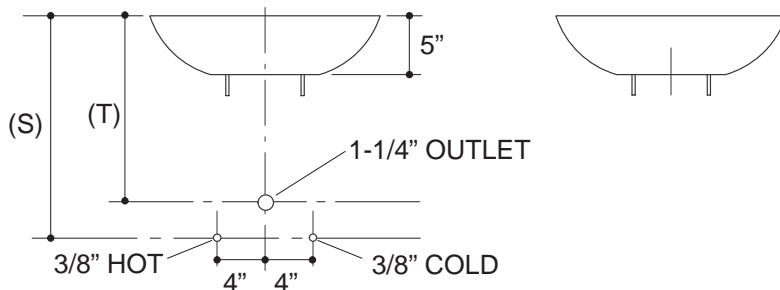
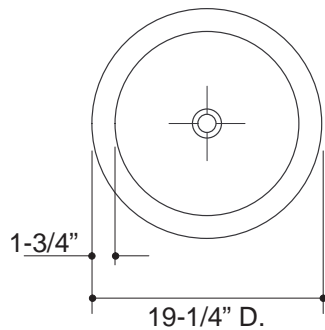
**IMPORTANT:** Product rests on countertop. Consider height of product when designing installation.

### Roughing-In Notes

(T) Pop-up drain 10-5/8".

(S) 14" (Based on 13-5/8" riser which may require cutting).

Spout must be 8" long (min.) for adequate clearance into lavatory.



## PRODUCT DIAGRAM