

**TRANSFER VALVE**  
**K-408-K**  
**ALSO K-409-K**

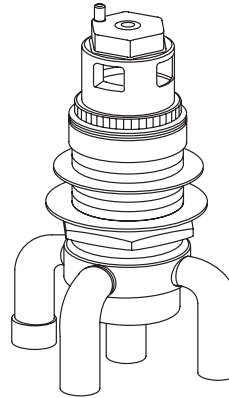
**FEATURES**

- Brass construction
- Intended for use with Kohler non-diverter bath spouts
- Two- or three-way configuration options
- Integral vacuum breaker for backflow prevention
- Rim-mount or deck-mount installation options

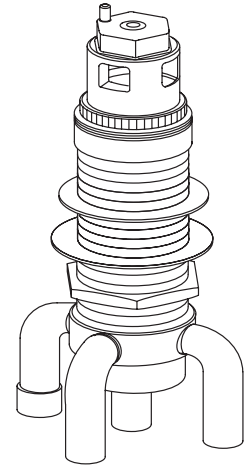
**CODES/STANDARDS APPLICABLE**

Specified model meets or exceeds the following:

- ASME/ANSI A112.18.1M



K-408-K



K-409-K

**COLORS/FINISHES**

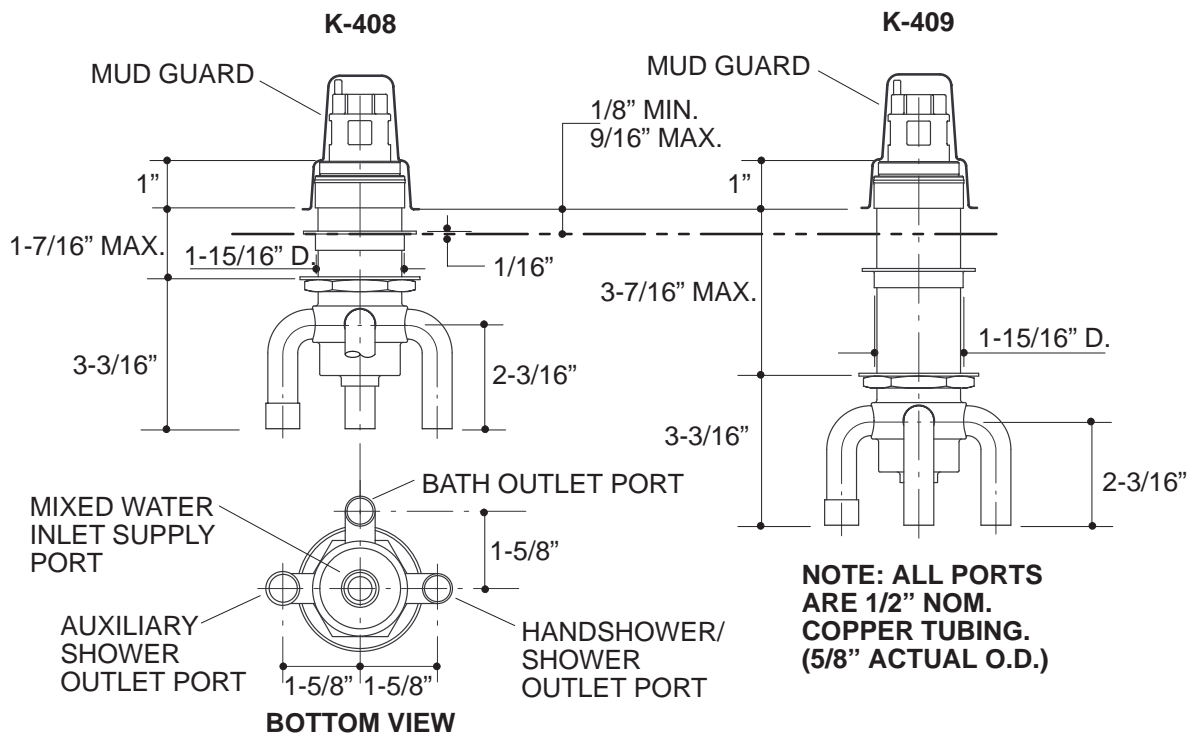
- NA Not applicable

**SPECIFIED MODEL:**

Model	Description	
K-408-K	For Rim-Mount Installations	<input type="checkbox"/> NA
K-409-K	For Deck-Mount Installations	<input type="checkbox"/> NA

**PRODUCT SPECIFICATION:**

Two- or three-way transfer valve shall be of brass construction. Product is intended for use with Kohler non-diverter bath spouts. Product shall feature two- or three-way configuration options, and integral vacuum breaker for backflow prevention. Optional feature shall be rim-mount or deck-mount installation. Transfer valve shall be Kohler Model K-\_\_\_\_\_-K-NA.



## PRODUCT DIAGRAM