

**SHOWER ARM
K-7398**

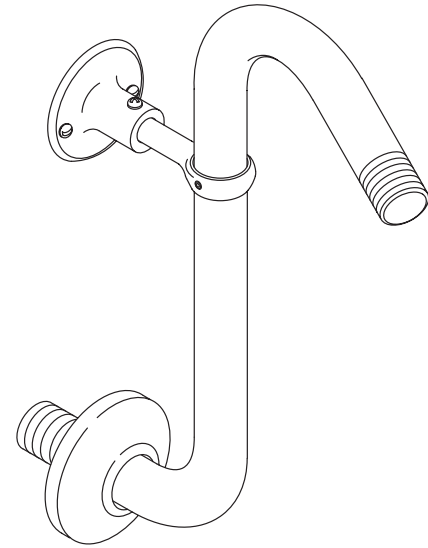
FEATURES

- Brass pipe construction
- 1/2"-14 NPT thread both ends
- Intended for bathroom installation
- Wall-mount bracket
- Wall-mount escutcheon

CODES/STANDARDS APPLICABLE

Specified model meets or exceeds the following:

- ASME/ANSI A112.18.1M



COLORS/FINISHES

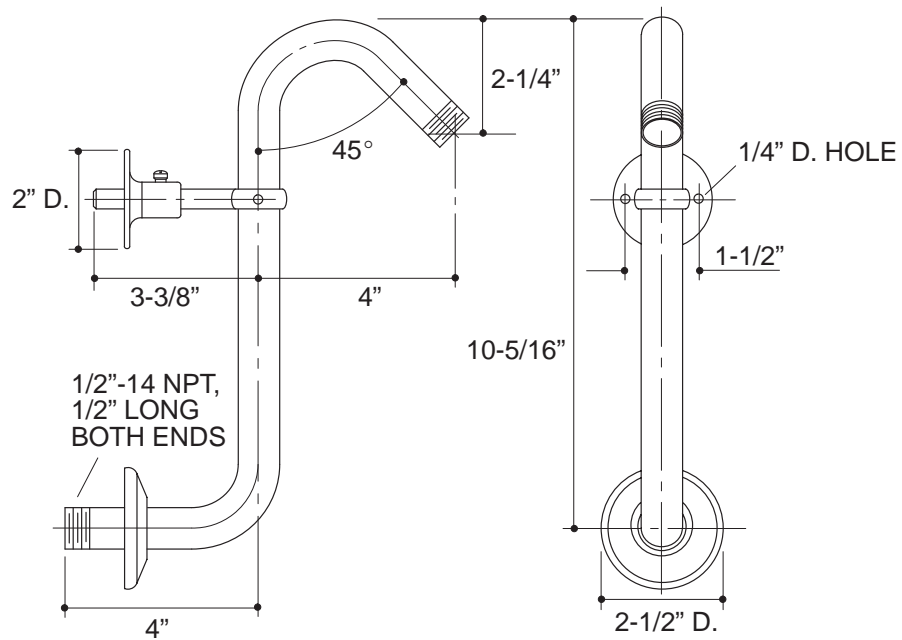
- CP Polished Chrome
- PB Polished Brass
- Other Refer to Faucets Price Book for additional finishes

SPECIFIED MODEL:

Model	Description			
K-7398	Shower Arm	<input type="checkbox"/> CP	<input type="checkbox"/> PB	<input type="checkbox"/> Other_____

PRODUCT SPECIFICATION:

Shower arm shall be of brass pipe construction. Product shall have 1/2"-14 NPT thread both ends. Product is intended for bathroom installation. Product includes wall-mount bracket and wall mount escutcheon. Faucet shall be Kohler Model K-7398-_____.



PRODUCT DIAGRAM