

## Ordering Information

Accessories/hardware:		
Jet trim kit	K-9696	required
Grip rails (pr.)	K-9653	required
Drain	K-7161-AF	recommended

## Required Electrical Service

Dedicated circuit required, protected with Class A Ground-Fault Circuit-Interrupter (GFCI):	
Pump/control	120 V, 15 A, 60 Hz

## Product Information

Fixture*:	basin area	top area	weight
Bathing well	42" x 27"	60" x 30"	129 lbs.
	water depth	capacity	
To overflow	16"	86 gal.	

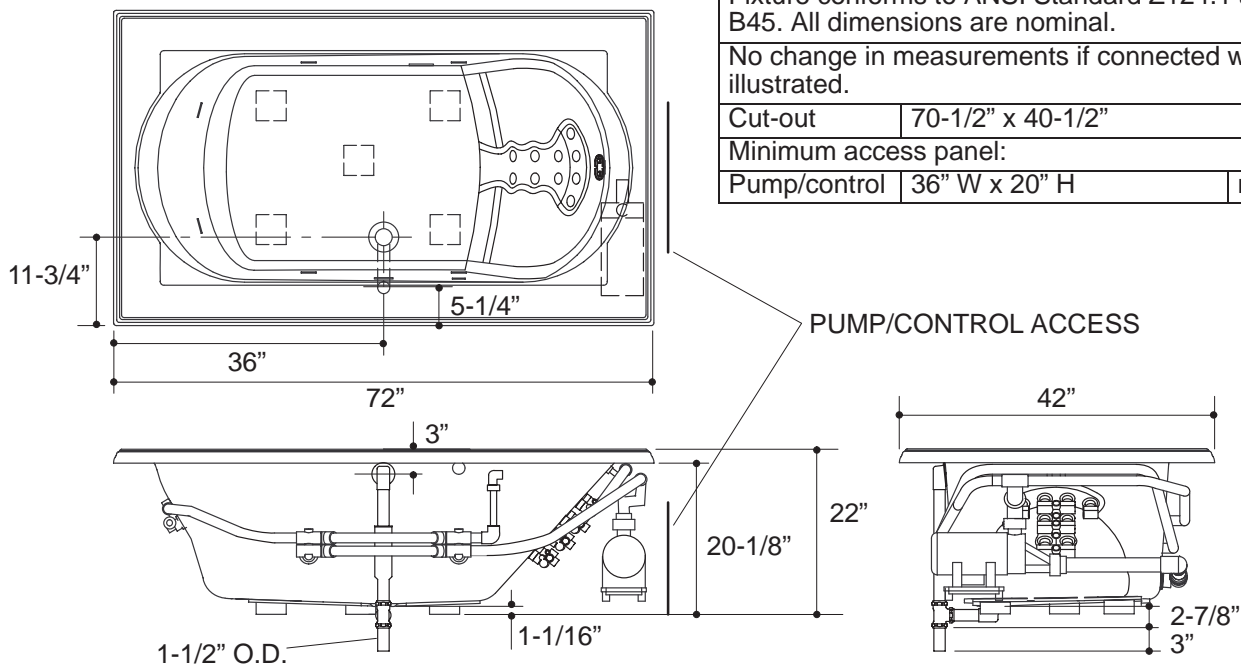
\* Approximate measurements for comparison only.

Pump:	HP	V	Hz	A
1-speed	2	120	60	13.0

## Installation Notes

Refer to installation instructions included with fixture before beginning installation.

**NOTICE:** Unless otherwise specified, floor support under whirlpool must provide for a minimum of 80 lbs./square foot loading. If installing a rim-mount faucet, make sure there is no interference with drain overflow and circulating system before drilling any holes. Consult local and national codes for minimum air gap requirements if installing a spout on the faucet deck.



### Roughing-In Notes

Fixture conforms to ANSI Standard Z124.1 and CSA B45. All dimensions are nominal.

No change in measurements if connected with drain illustrated.

Cut-out 70-1/2" x 40-1/2"

Minimum access panel:

Pump/control 36" W x 20" H required

1.25>132