

Ordering Information

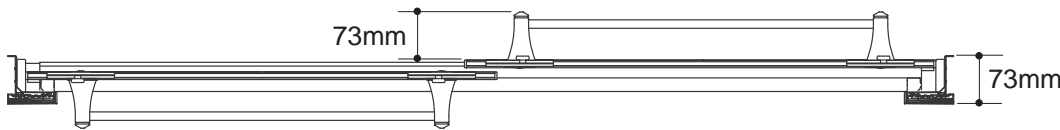
Applicable product:
Reference models and measurements below.

Installation Notes

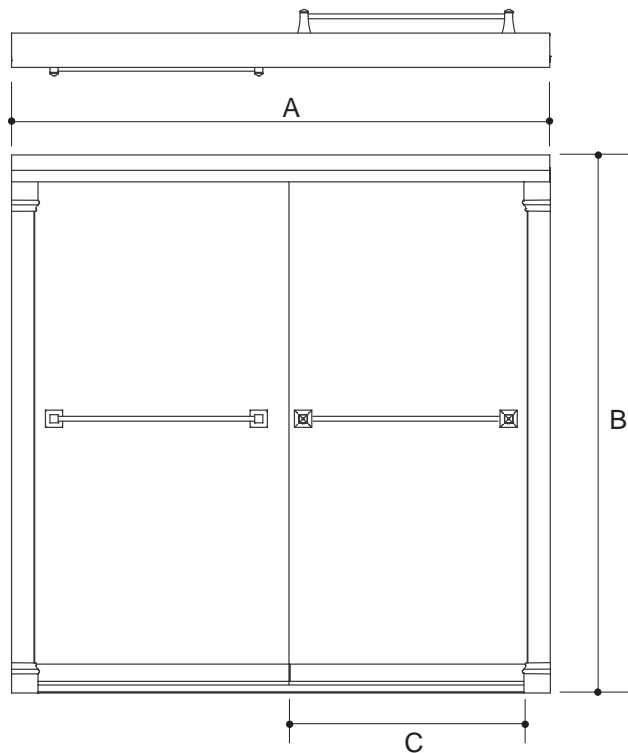
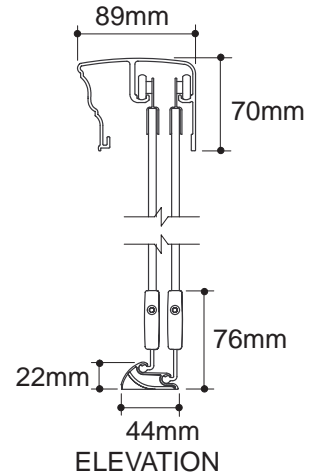
Refer to installation instructions included with fixture before beginning installation.

If your installation has multiple shower spray systems, order Vinyl Seal Kit 88773 prior to installing your Portico door.

IMPORTANT: The Portico shower door requires a minimum of 3-1/4" of flat mounting surface in order to be properly installed. Installing these doors with less than this dimension may result in the front face of the header protruding past the edge of the enclosure.



PLAN VIEW



Roughing-In Notes			
	A (Max.)	B	C (Walk Through)
K-704110	1359mm	1422mm	600mm
K-704112	1422mm	1422mm	632mm
K-704114	1207mm	1461mm	518mm
K-704116	1511mm	1486mm	670mm
K-704118	1664mm	1486mm	752mm
K-704120	1803mm	1486mm	822mm
K-704122	1092mm	1778mm	467mm
K-704124	1194mm	1778mm	518mm
K-704126	1422mm	1778mm	632mm
K-704128	1499mm	1778mm	670mm
K-704130	1194mm	1943mm	518mm
K-704132	1499mm	1943mm	670mm