

Ordering Information

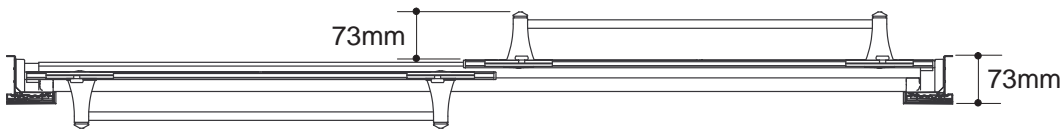
Applicable product:

Reference models and measurements below.

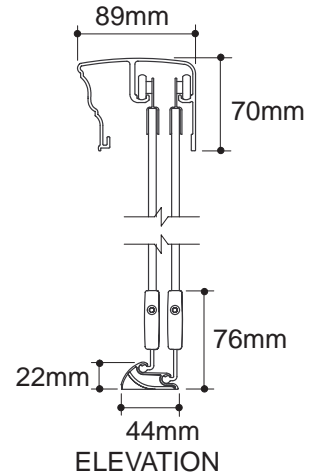
Installation Notes

Refer to installation instructions included with fixture before beginning installation.

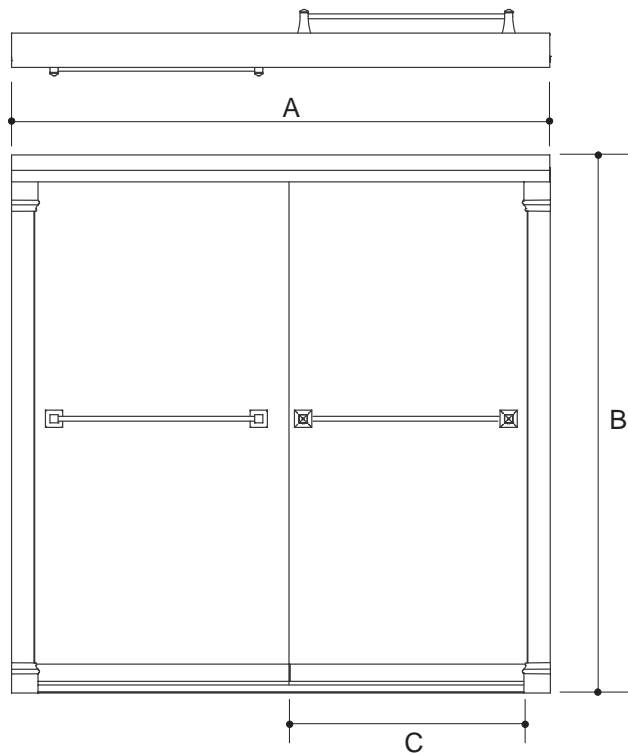
IMPORTANT: The Portico shower door requires a minimum of 83mm of flat mounting surface in order to be properly installed. Installing these doors with less than this dimension may result in the front face of the header protruding past the edge of the enclosure.



PLAN VIEW



ELEVATION



Roughing-In Notes

| | A (Max.) | B | C (Walk Through) |
|----------|-------------|--------|---------------------|
| K-704110 | 1359mm | 1422mm | 600mm |
| K-704112 | 1422mm | 1422mm | 632mm |
| K-704114 | 1207mm | 1461mm | 518mm |
| K-704116 | 1511mm | 1486mm | 670mm |
| K-704118 | 1664mm | 1486mm | 752mm |
| K-704120 | 1803mm | 1486mm | 822mm |
| K-704122 | 1092mm | 1778mm | 467mm |
| K-704124 | 1194mm | 1778mm | 518mm |
| K-704126 | 1422mm | 1778mm | 632mm |
| K-704128 | 1499mm | 1778mm | 670mm |
| K-704130 | 1194mm | 1943mm | 518mm |
| K-704132 | 1499mm | 1943mm | 670mm |