

### Ordering Information

Applicable product:		
Dolce Vita™	K-2815	shown
Vessels™ Dolce Vita™	K-2815-P	not shown
Accessories/hardware:		
Vessels wall-mount bracket	K-9655	optional
P-trap	K-9018	recommended
Drain	K-7702-BA	recommended

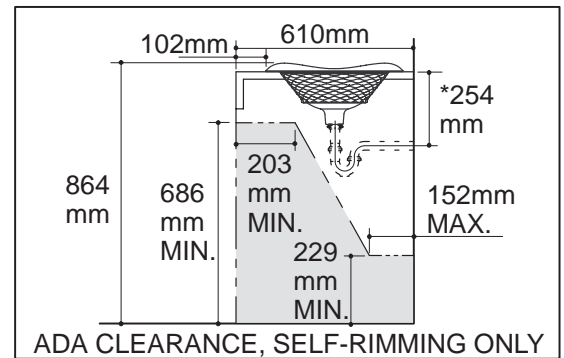
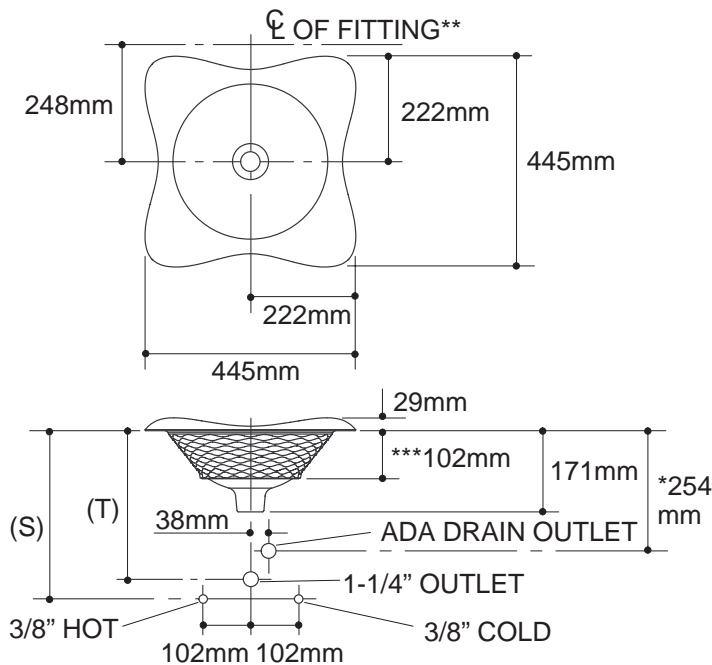
### Product Information

ADA compliant, self-rimming only:			
Fixture*:		basin area	water depth
Lavatory		Ø330mm	121mm
Outlet	Ø44mm		
* Approximate measurements for comparison only.			
Included Components:			
Cutout template			87996-7

### Installation Notes

Refer to installation instructions included with fixture before beginning installation.

Product does not have an overflow.



### Roughing-In Notes

Fixture dimensions are nominal and conform to tolerances in ASME Standard A112.19.1M.
(T) Pop-up drain 314mm.
(S) 356mm (Based on 305mm riser which may require cutting).
*Based on K-9018, with 25mm of tailpiece exposed.
**Spout must be 127mm long (min.) for adequate clearance into lavatory when installed with centerline as shown.
***Spout must be tall enough to clear 102mm rim height and provide a 25mm air gap per ASME A112.1.2.