

Ordering Information

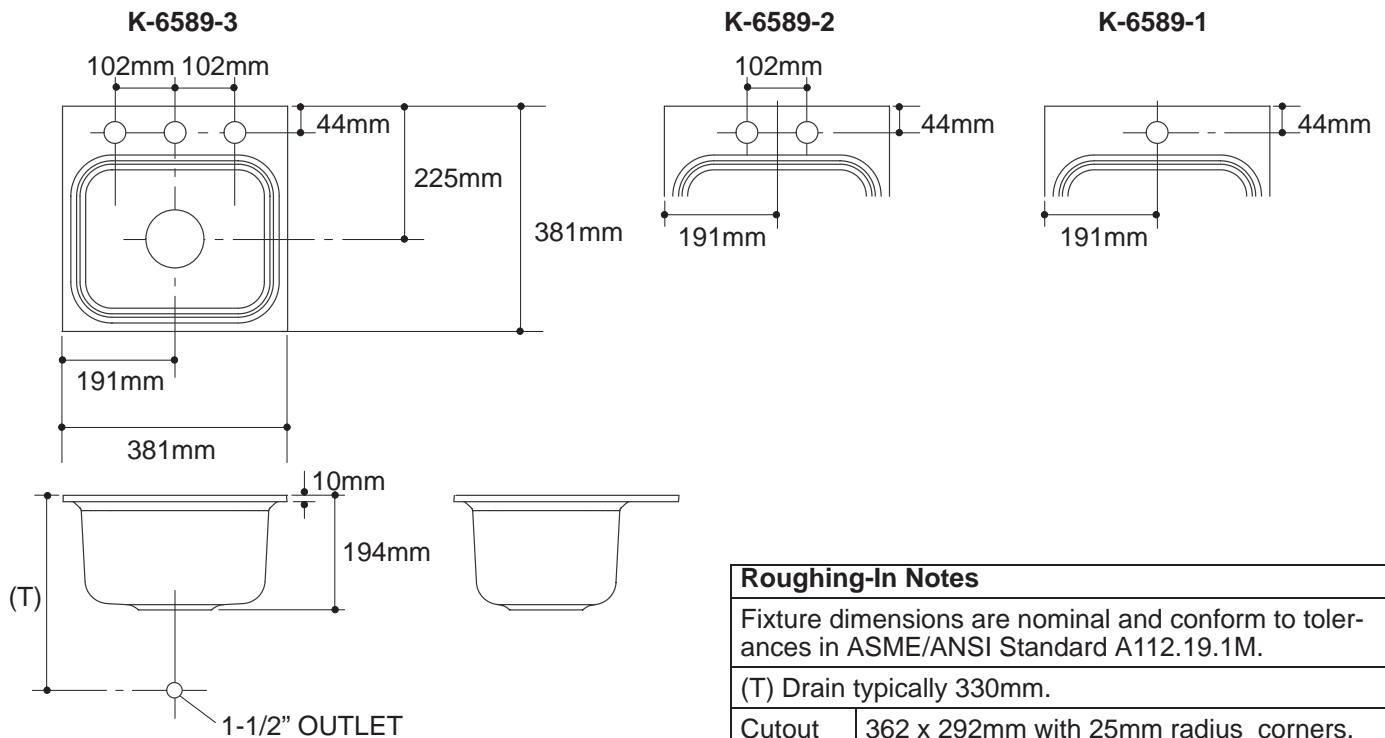
Applicable product:		
Three-hole sink	K-6589-3	shown
Two-hole sink	K-6589-2	not shown
Single-hole sink	K-6589-1	not shown
Accessories/hardware:		
Hardwood cutting board	K-6590	optional

Product Information

Fixture*:		basin area	water depth
Sink		235 x 305mm	178mm
Outlet	Ø98mm		
Faucet holes	Ø35mm		
* Approximate measurements for comparison only.			

Installation Notes

Refer to installation instructions included with fixture before beginning installation.



Roughing-In Notes

Fixture dimensions are nominal and conform to tolerances in ASME/ANSI Standard A112.19.1M.

(T) Drain typically 330mm.

Cutout	362 x 292mm with 25mm radius corners.
--------	---------------------------------------