

**Ordering Information**

Applicable product:		
Undercounter sink	K-6589-U	shown

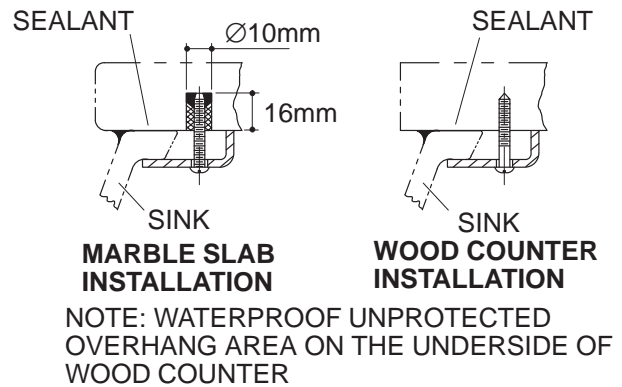
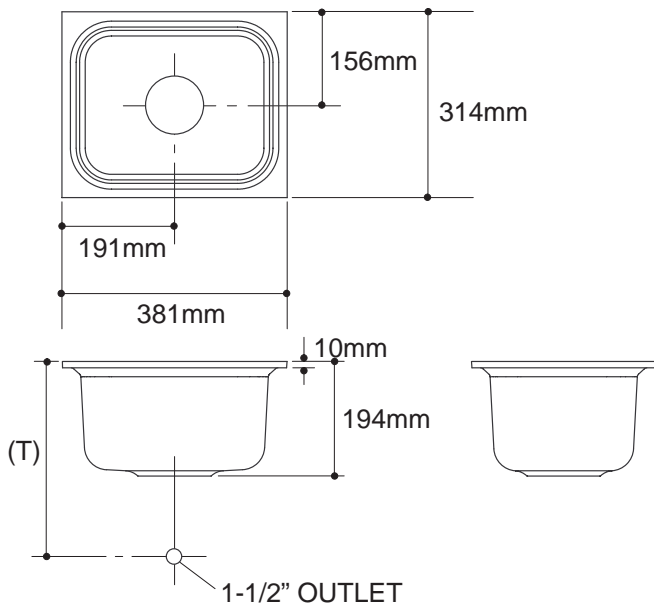
**Product Information**

Fixture*:		basin area	water depth
Sink		235 x 305mm	178mm
Outlet	Ø98mm		
* Approximate measurements for comparison only.			

Included components:	
Basin clamp assembly	52047

**Installation Notes**

Refer to installation instructions included with fixture before beginning installation.



**Roughing-In Notes**

Fixture dimensions are nominal and conform to tolerances in ASME/ANSI Standard A112.19.1M.  
 (T) Drain typically 330mm.  
 Supplied basin clamp assemblies require 25mm minimum countertop thickness. Installer must supply anchors for thinner countertops.  
 For multiple bowl undercounter installations, a minimum distance of 86mm is required between bowls. Countertop supplier to determine required support.

1.25>116