

**Ordering Information**

Applicable product:		
Five-hole sink	K-5904-5	shown
Four-hole sink	K-5904-4	not shown
Accessories/hardware:		
Hardwood cutting board and drain board	K-5907	optional

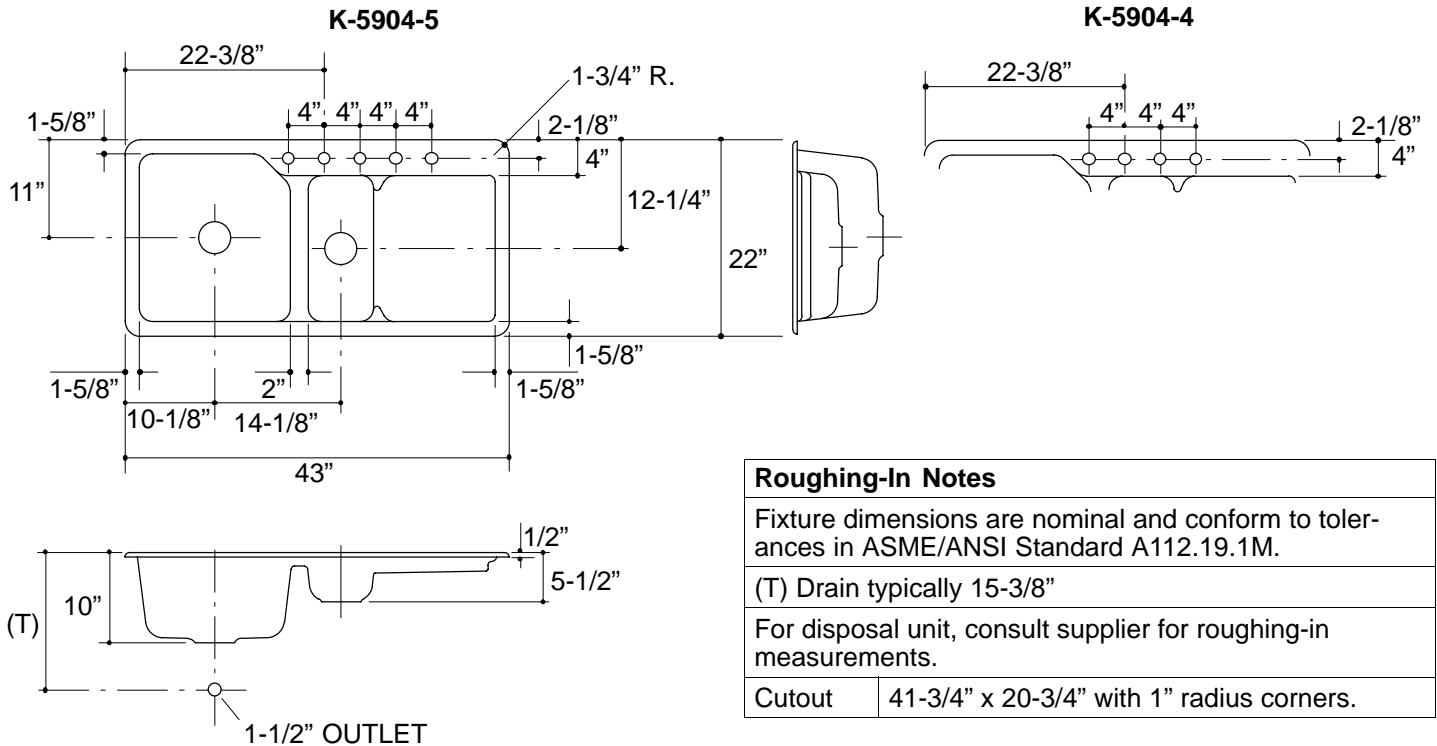
**Product Information**

Fixture*:		basin area	water depth
Sink		17" x 19"	9-3/8"
Disposal		8" x 16"	3-5/8"
Drainboard		14" x 16"	
Outlets	3-5/8" D.		
Faucet holes	1-3/8" D.		

\* Approximate measurements for comparison only.

**Installation Notes**

Refer to installation instructions included with fixture before beginning installation.



.75<116