

Ordering Information

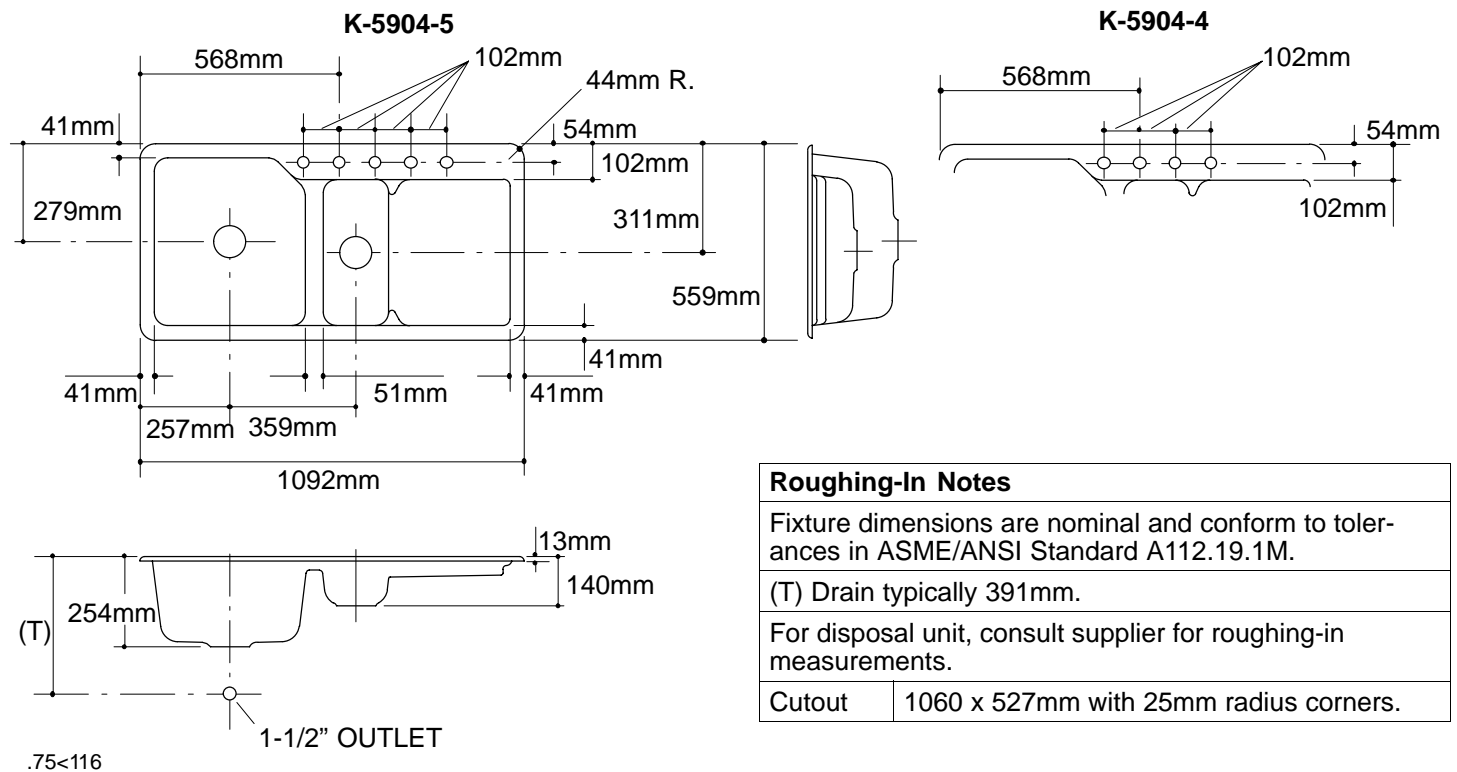
Applicable product:		
Five-hole sink	K-5904-5	shown
Four-hole sink	K-5904-4	not shown
Accessories/hardware:		
Hardwood cutting board and drain board	K-5907	required

Product Information

Fixture*:		basin area	water depth
Sink		432 x 483mm	238mm
Disposal		203 x 406mm	92mm
Drainboard		356 x 406mm	
Outlets	Ø92mm		
Faucet holes	Ø35mm		
* Approximate measurements for comparison only.			

Installation Notes

Refer to installation instructions included with fixture before beginning installation.



Roughing-In Notes

Fixture dimensions are nominal and conform to tolerances in ASME/ANSI Standard A112.19.1M.

(T) Drain typically 391mm.

For disposal unit, consult supplier for roughing-in measurements.

Cutout	1060 x 527mm with 25mm radius corners.
--------	--