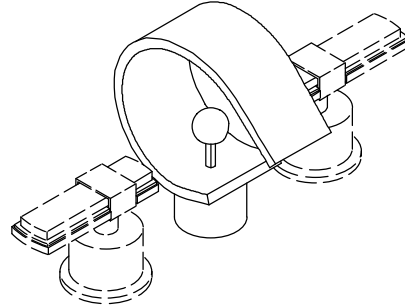


**LAVATORY FAUCET  
K-7914**

**FEATURES**

- Brass construction
- Flexible connections
- Brass valve bodies
- Quarter-turn washerless ceramic disc valves
- 3-1/4" sheetflow spout
- 2.0 gallons per minute
- Pop-up drain with lift rod and tailpiece
- Available with lever or ball handles



**CODES/STANDARDS APPLICABLE**

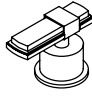

Specified model meets or exceeds the following:

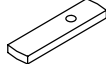
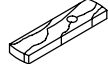
- ASME/ANSI A112.18.1M
- CSA B125
- Energy Policy Act of 1992
- IAPMO/UPC
- NSF 61

**COLORS/FINISHES**

- CP Polished Chrome
- PB Polished Brass

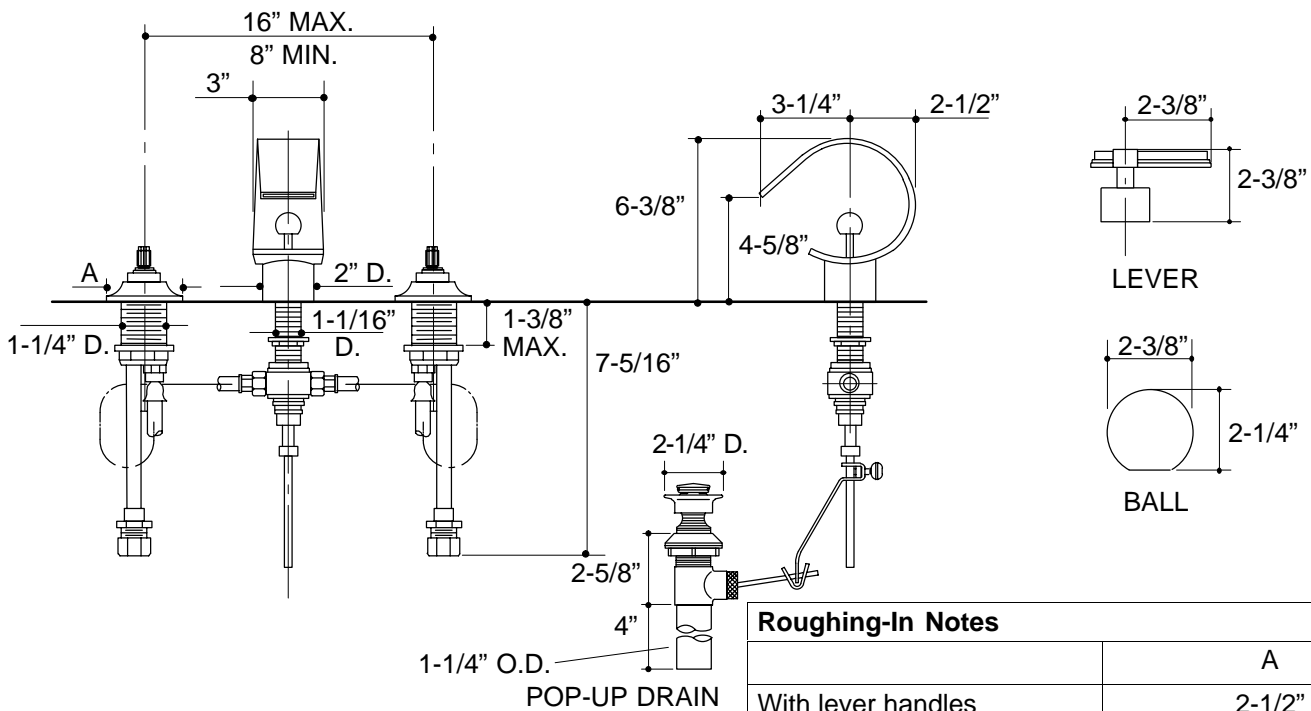
**SPECIFIED MODEL:**

Model	Description	 ADA	
K-7914-4	With Lever Handles	<input type="checkbox"/> CP <input type="checkbox"/> PB	
K-7914-8	With Ball Handles		<input type="checkbox"/> CP <input type="checkbox"/> PB

Optional Accessory			
K-9971	Small Lever Handle Metal Inset, Single	<input type="checkbox"/> CP <input type="checkbox"/> PB <input type="checkbox"/> Other_____	
K-9985	Small Lever Handle Stone Inset, Single		<input type="checkbox"/> Other_____

**PRODUCT SPECIFICATION:**

Two-handle widespread lavatory faucet shall be of brass construction. Faucet shall feature brass valve bodies. Faucet shall feature quarter-turn washerless ceramic disc valves, assuring positive handle stop positioning. Product shall include flexible connections, 3-1/4" sheetflow spout, pop-up drain with lift rod and tailpiece, and lever or ball handles. Faucet shall be Kohler Model K-7914-\_\_\_\_\_-\_\_\_\_\_.



316

## PRODUCT DIAGRAM