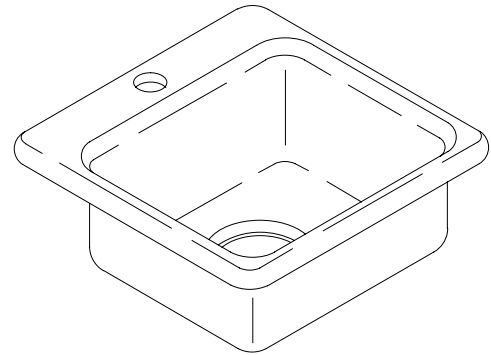


FEATURES

- 15" x 15"
- Acrylic
- Self-rimming
- Single compartment
- Single-hole (K-6015-1), 2-hole (K-6015-2), or 3-hole (K-6015-3) drilling



CODES/STANDARDS APPLICABLE

Specified model meets or exceeds the following:

- IAPMO/UPC
- State of Massachusetts

COLORS/FINISHES

- 0 White
- Other Refer to Fixtures Price Book for additional colors

Accessories:

- CP Polished Chrome
- Other Refer to Price Book for additional finishes

SPECIFIED MODEL:

Model	Description	Colors/Finishes	
		<input type="checkbox"/> 0 White	<input type="checkbox"/> Other_____
K-6015-1	Single-hole sink	<input type="checkbox"/> 0 White	<input type="checkbox"/> Other_____
K-6015-2	2-hole sink	<input type="checkbox"/> 0 White	<input type="checkbox"/> Other_____
K-6015-3	3-hole sink	<input type="checkbox"/> 0 White	<input type="checkbox"/> Other_____
Optional Accessories			
K-8801	Duostrainer sink strainer	<input type="checkbox"/> CP	<input type="checkbox"/> Other_____

PRODUCT SPECIFICATION:

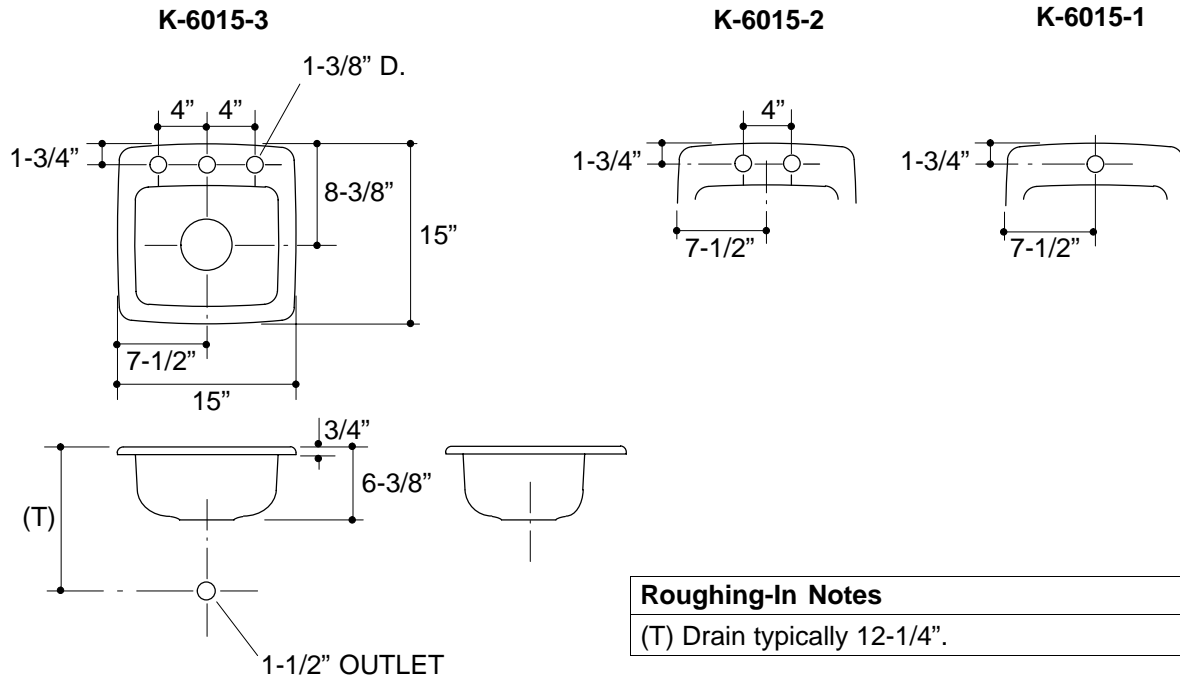
The self-rimming entertainment sink shall be 15" in length, and 15" in width. Sink shall be made of acrylic. Sink shall be single compartment. Sink shall be single-hole (K-6015-1), 2-hole (K-6015-2), or 3-hole (K-6015-3) drilled. Sink shall be Kohler Model K-6015-_____-_____.

PRODUCT INFORMATION

Fixture*:		basin area	water depth
Sink		12" x 10"	5-1/2"
Outlet	3-1/2" D.		
Faucet holes	1-3/8" D.		
* Approximate measurements for comparison only.			
Included Components:			
Adhesive sealant		63034	
Cutout template		102519-7	

Installation Notes

Refer to installation instructions included with fixture before beginning installation.



PRODUCT DIAGRAM