

### Ordering Information

Applicable product:		
With neck jets	K-1398-N	shown
Without neck jets	K-1398-H1	not shown
Accessories/hardware:		
Jet trim kit	K-9698	required
Drain	K-7167	recommended
Autofill control kit	K-9704	optional
Autofill drain/trim kit	K-9708	optional
Seawall faucet	varies	optional
Vinyl tiling-in bead*	K-1179	optional
*Use K-1179 vinyl bead when wall material contacts any top surface of bath.		

### Required Electrical Service

Dedicated circuit required, protected with Class A Ground-Fault Circuit-Interrupter (GFCI):	
Pump/control	120 V., 20 A, 60 Hz

### Product Information

Fixture*:	basin area	top area	weight	
Bathing well	1372 x 737mm	1854 x 965mm	70 Kg.	
	water depth	capacity		
To overflow	470mm	587 litres		
* Approximate measurements for comparison only.				
Pump:	HP	V	Hz	A
60 Hz	2	120	60	18.5

### Installation Notes

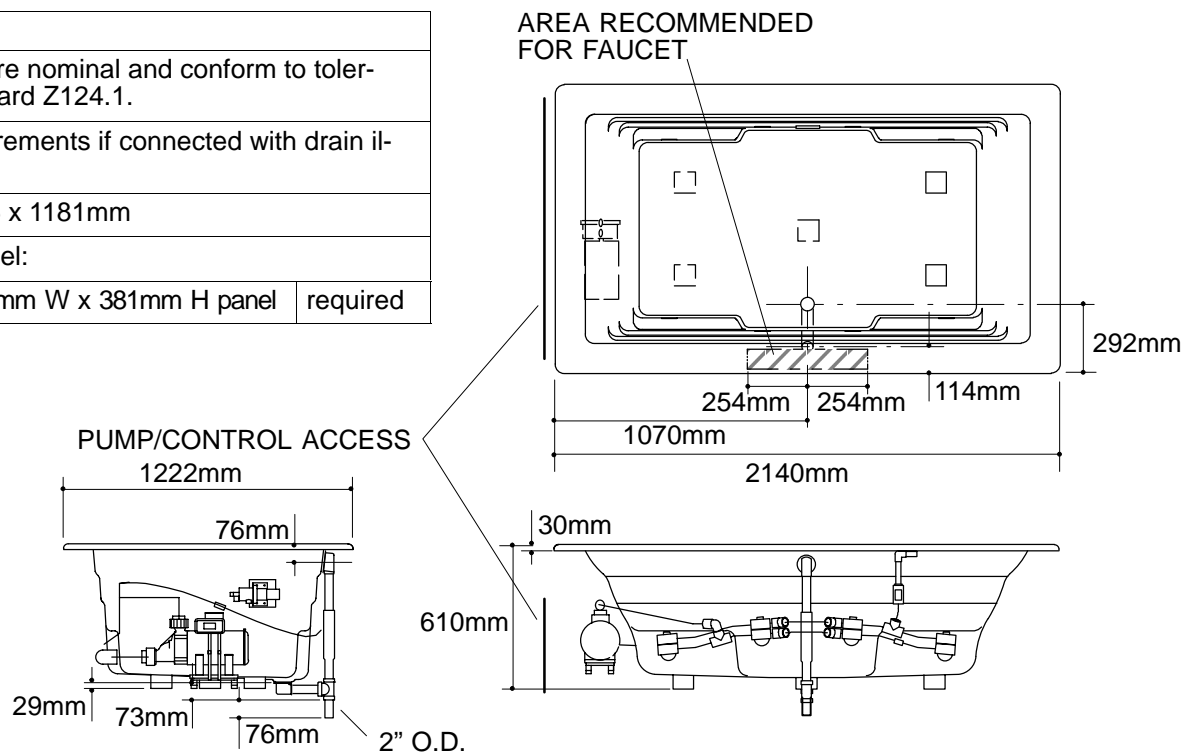
Refer to installation instructions included with fixture before beginning installation.

For proper drainage, whirlpool corners are 5mm higher than the sides of the rim. This may require special consideration if wall materials contact whirlpool top surfaces.

If installing a rim-mount faucet, make sure there is no interference with drain overflow and circulating system before drilling any holes. Consult local and national codes for minimum air gap requirements if installing a spout on the faucet deck.

Pump is supplied with a grounding type plug-in cord. Locate the outlet behind the whirlpool, and within 610mm of the pump.

<b>Roughing-In Notes</b>		
Fixture dimensions are nominal and conform to tolerances in ANSI Standard Z124.1.		
No change in measurements if connected with drain illustrated.		
Cut-out	2096 x 1181mm	
Minimum access panel:		
Pump/control	1168mm W x 381mm H panel	required



132