

## Ordering Information

Accessories/hardware:		
Jet trim kit	K-9390	required
Drain	K-7167	recommended
Vinyl tiling-in bead*	K-1179	optional
*Use K-1179 vinyl bead when wall material contacts any top surface of bath.		

## Required Electrical Service

Dedicated circuit required, protected with Class A Ground-Fault Circuit-Interrupter (GFCI):	
Pump/control	120 V., 20 A, 60 Hz

## Product Information

Fixture*:	basin area	top area	weight
Bathing well	1194 x 762mm	1575 x 965mm	61 Kg.
	water depth	capacity	
To overflow	445mm	469 litres	
* Approximate measurements for comparison only.			

Pump:	HP	V	Hz	A
60 Hz	2	120	60	18.5

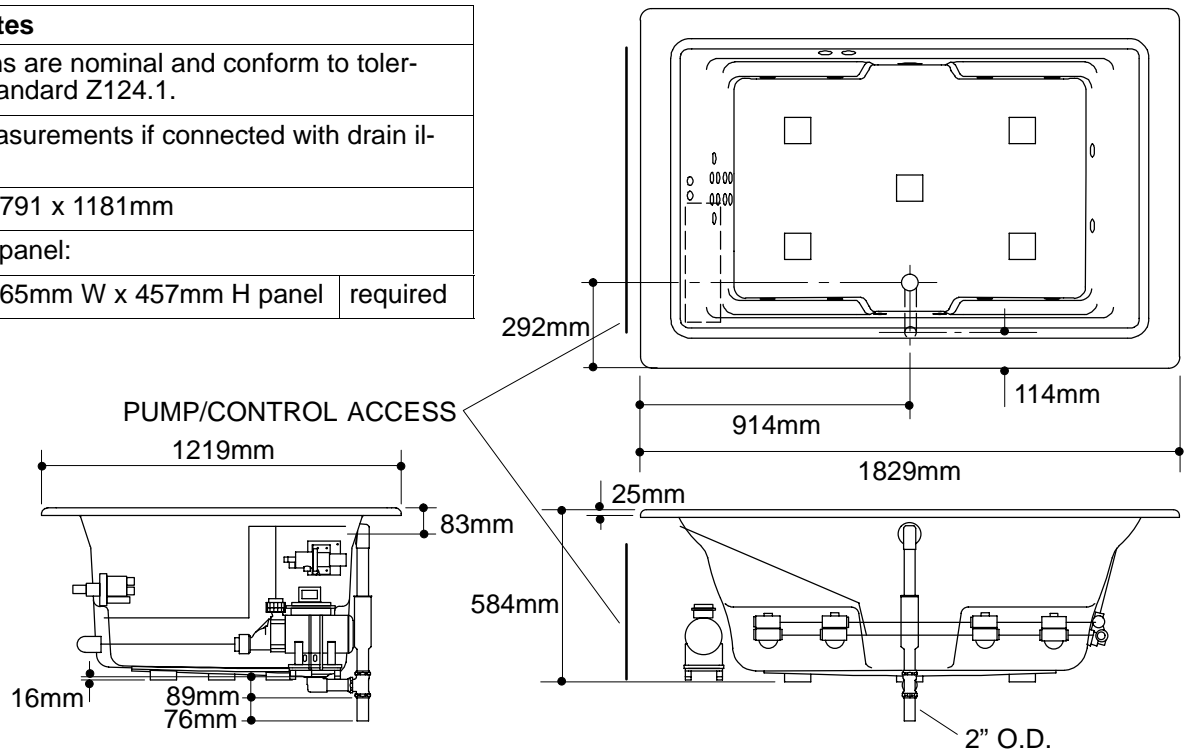
## Installation Notes

Refer to installation instructions included with fixture before beginning installation.

If installing a rim-mount faucet, make sure there is no interference with drain overflow and circulating system before drilling any holes. Consult local and national codes for minimum air gap requirements if installing a spout on the faucet deck.

Pump is supplied with a grounding type plug-in cord. Locate the outlet behind the whirlpool, and within 610mm of the pump.

<b>Roughing-In Notes</b>		
Fixture dimensions are nominal and conform to tolerances in ANSI Standard Z124.1.		
No change in measurements if connected with drain illustrated.		
Cut-out	1791 x 1181mm	
Minimum access panel:		
Pump/control	965mm W x 457mm H panel	required



1.25>132