

### Ordering Information

Accessories/hardware:		
Bottom basin rack	K-3191	optional
Cutting board	K-3278	optional
Wire basket	K-3279	optional
Colander	K-3291	optional
Duostrainer® sink strainer	K-8801	optional
Stainless steel sink strainer	K-8813	optional
Stainless steel sink strainer	K-8814	optional

### Product Information

Fixture*:		basin area	water depth
Sink, left		457 x 457mm	241mm
Sink, right		356 x 381mm	191mm
Outlet	Ø92mm		

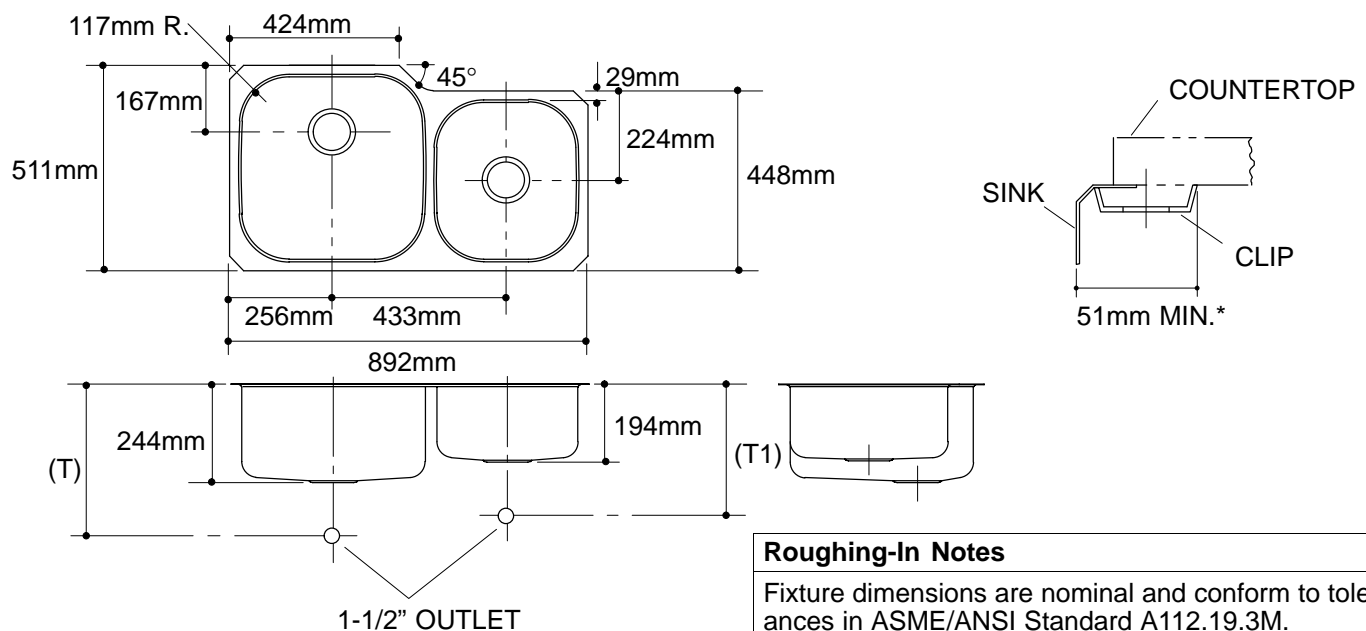
\* Approximate measurements for comparison only.

#### Included Components:

Hardware kit	91915
Cutout template	114540-7

### Installation Notes

Refer to installation instructions included with fixture before beginning installation.



#### Roughing-In Notes

Fixture dimensions are nominal and conform to tolerances in ASME/ANSI Standard A112.19.3M.

(T) Drain typically 381mm.

(T1) Drain typically 330mm.

\* Allow clearance around sink rim for clip attachment.

.85<116