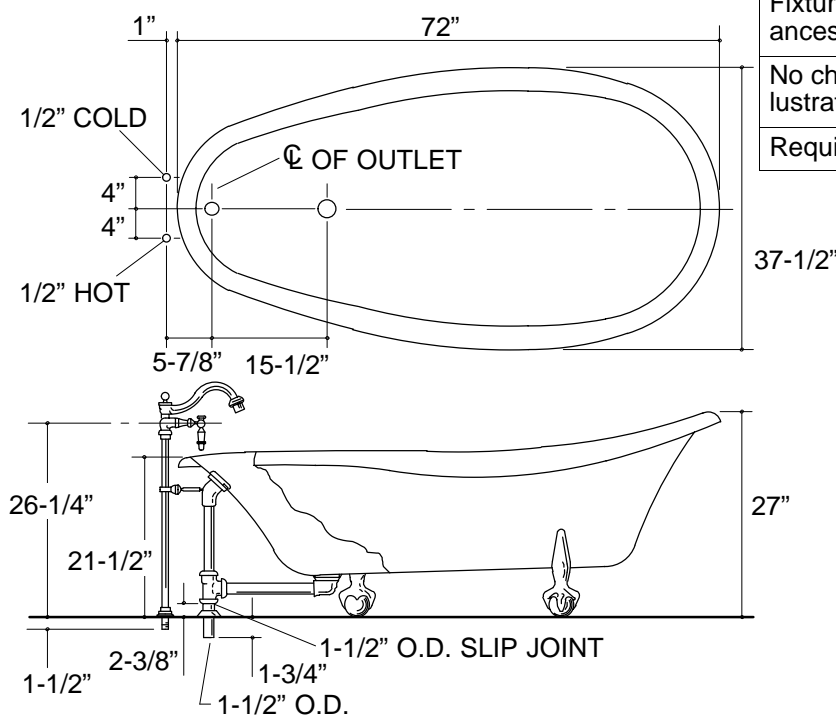


Ordering Information

Accessories/hardware:		
Antique ball and claw legs	K-102	required*
Antique bath drain	K-106	required*
Bath faucet	K-104	required*
Riser tubes, connections	K-127	required*
* Required for configuration illustrated.		

Product Information

Fixture*:	basin area	top area	weight
Bathing well	43" x 21"	67" x 31"	430 lbs.
	water depth	capacity	
To overflow	11-1/8"	50 gal.	
* Approximate measurements for comparison only.			



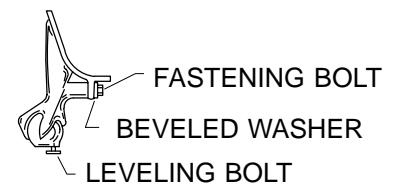
Roughing-In Notes

Fixture dimensions are nominal and conform to tolerances in ANSI Standard A112.19.1.

No change in measurements if connected with drain illustrated.

Required accessories/hardware are shown.

LEG DETAIL



1.25>132

K-100 Birthday[™] Bath
105000-AA (9421)

KOHLER[®]