

### Ordering Information

|                       |           |             |
|-----------------------|-----------|-------------|
| Applicable product:   |           |             |
| Left outlet           | K-515     | shown       |
| Right outlet          | K-516     | not shown   |
| Accessories/hardware: |           |             |
| Drain                 | K-7160-TF | recommended |

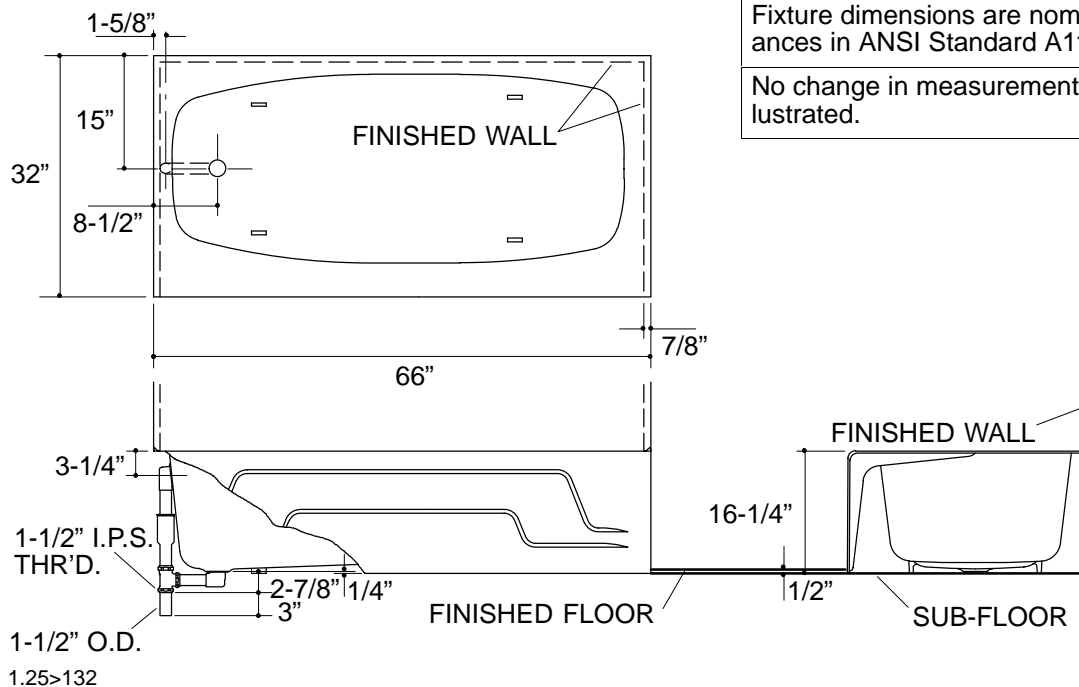
### Product Information

| Fixture*:    | basin area  | top area  | weight   |
|--------------|-------------|-----------|----------|
| Bathing well | 47" x 22"   | 60" x 25" | 376 lbs. |
|              | water depth | capacity  |          |
| To overflow  | 10-7/8"     | 47 gal.   |          |

\* Approximate measurements for comparison only.

### Installation Notes

Refer to installation instructions included with fixture before beginning installation.



### Roughing-In Notes

Fixture dimensions are nominal and conform to tolerances in ANSI Standard A112.19.1.

No change in measurements if connected with drain illustrated.