

### Ordering Information

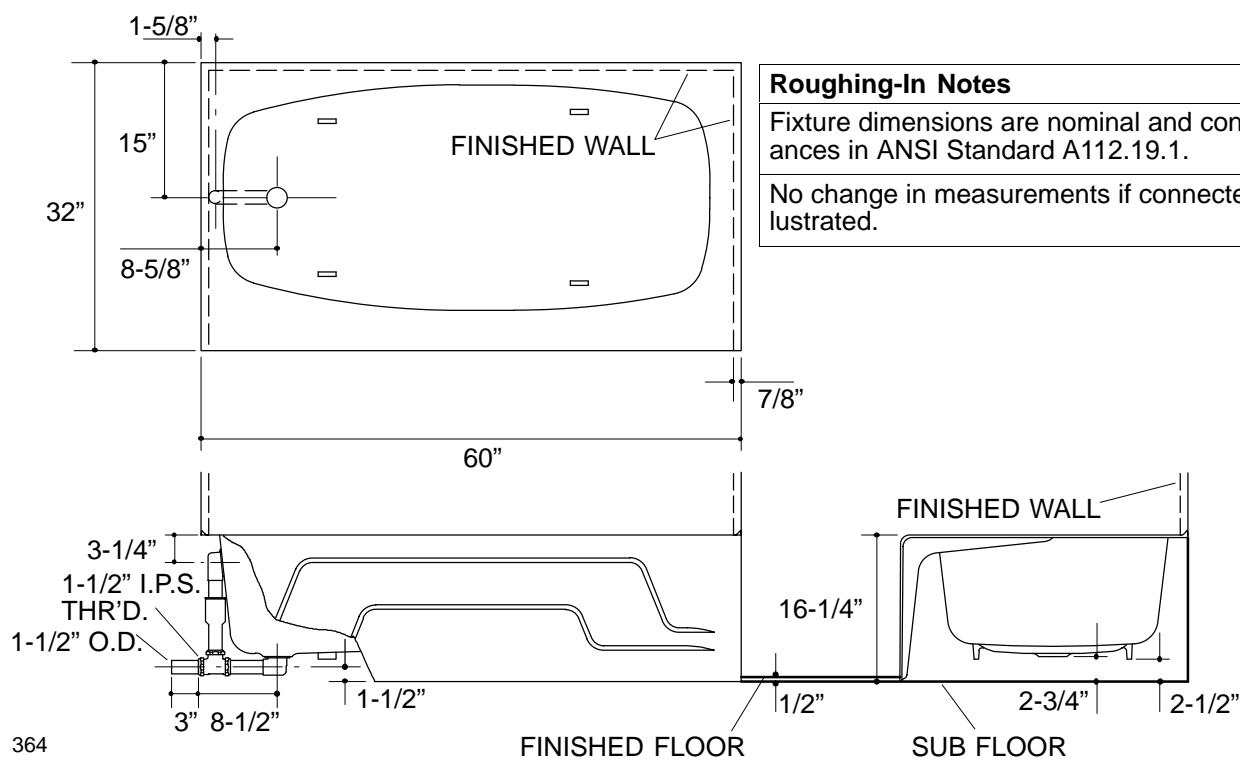
Applicable product:		
Left outlet	K-519	shown
Right outlet	K-520	not shown
Accessories/hardware:		
Drain	K-7160-AF	recommended

### Product Information

ADA compliant.			
Fixture*:	basin area	top area	weight
Bathing well	41" x 22"	54" x 25"	345 lbs.
	water depth	capacity	
To overflow	8-5/8"	35 gal.	
* Approximate measurements for comparison only.			

### Installation Notes

Refer to installation instructions included with fixture before beginning installation.



### Roughing-In Notes

Fixture dimensions are nominal and conform to tolerances in ANSI Standard A112.19.1.

No change in measurements if connected with drain illustrated.

364