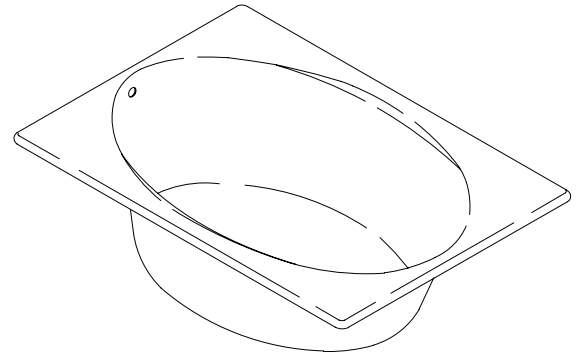


FEATURES

- 60" x 42" x 20-3/8"
- Cast iron with Safeguard® finish



CODES/STANDARDS APPLICABLE

Specified model meets or exceeds the following:

- ASME/ANSI A112.19.1M
- IAPMO/UPC
- Canadian Standards Association (CSA)
- State of Massachusetts

COLORS/FINISHES

- 0 White
- Other Refer to Fixtures Price Book for additional colors

Accessories:

- CP Polished Chrome
- PB Polished Brass
- Other Refer to Faucets Price Book for additional finishes
- NA None Applicable

SPECIFIED MODEL:

Model	Description	Colors/Finishes		
K-770	Bath	<input type="checkbox"/> 0 White	<input type="checkbox"/> Other_____	
Recommended Accessories				
K-7161-AF	Drain	<input type="checkbox"/> CP	<input type="checkbox"/> PB	<input type="checkbox"/> Other_____
Optional Accessories				
K-583	Undermount installation kit (template and installation instructions)	<input type="checkbox"/> NA		
K-1179	Vinyl tiling-in bead (use when wall material contacts any top surface of bath)	<input type="checkbox"/> NA		

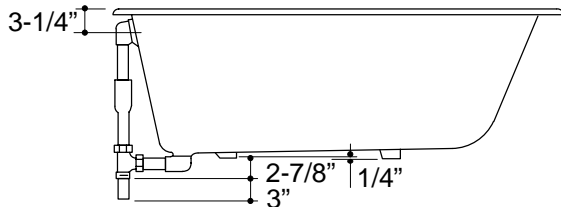
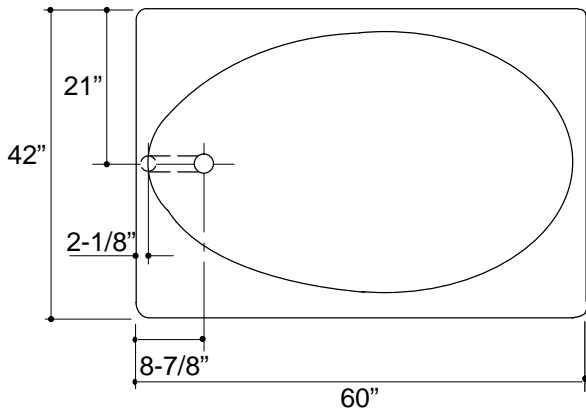
PRODUCT SPECIFICATION:

The bath shall be 60" in length, 42" in width, and 20-3/8" in height. Bath shall be made of cast iron with Safeguard® finish. Bath shall be Kohler Model K-770-_____.

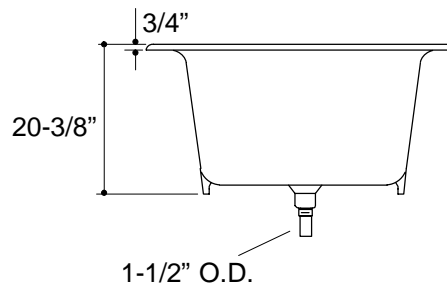
PRISTINE®

PRODUCT INFORMATION

Fixture*:	basin area	top area	weight
Bathing well	42" x 26"	54" x 32"	418 lbs.
	water depth	capacity	
To overflow	15"	70 gal.	
* Approximate measurements for comparison only.			



Roughing-In Notes	
No change in measurements if connected with drain illustrated.	
Cut-out for drop-in	58-1/2" x 40-1/2"
Cut-out for undermount	K-583 template required



1.25>132

PRODUCT DIAGRAM