

Ordering Information

Accessories/hardware:		
Drain	K-7161-AF	recommended
Undermount installation kit	K-583	optional
Vinyl tiling-in bead*	K-1179	optional

*Use K-1179 vinyl bead when wall material contacts any top surface of bath.

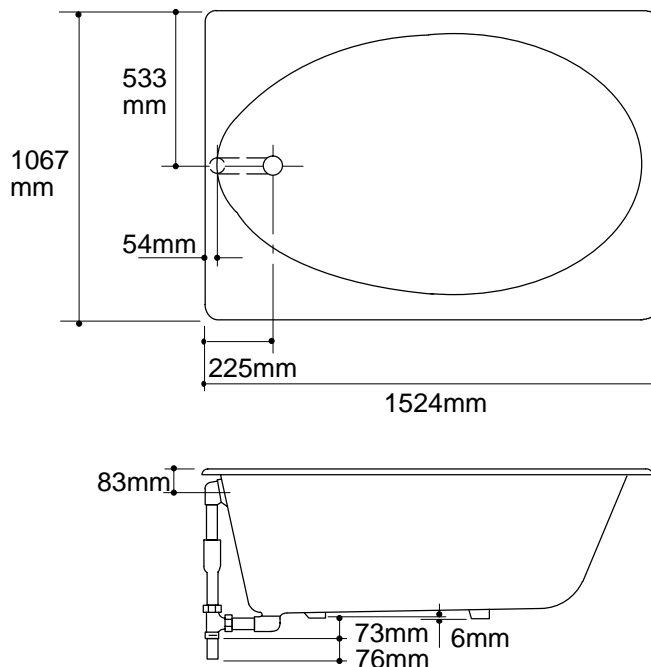
Product Information

Fixture*:	basin area	top area	weight
Bathing well	1067 x 660mm	1372 x 813mm	189 Kg.
	water depth	capacity	
To overflow	381mm	265 litres	

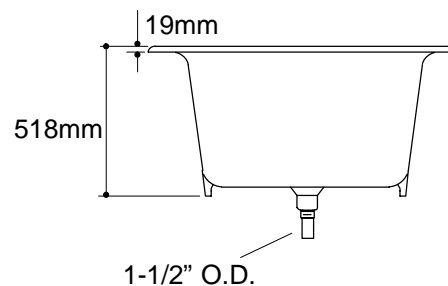
* Approximate measurements for comparison only.

Installation Notes

Refer to installation instructions included with fixture before beginning installation.



Roughing-In Notes	
Fixture dimensions are nominal and conform to tolerances in ANSI Standard A112.19.1.	
No change in measurements if connected with drain illustrated.	
Cut-out for drop-in	1486 x 1029mm
Cut-out for undermount	K-583 template required



1.25>132