

**Ordering Information**

Accessories/hardware:		
Grip rails (pair)	K-9623	required
Drain	K-7161-AF	recommended
Undermount installation kit	K-584	optional
Vinyl tiling-in bead*	K-1179	optional

\*Use K-1179 vinyl bead when wall material contacts any top surface of bath.

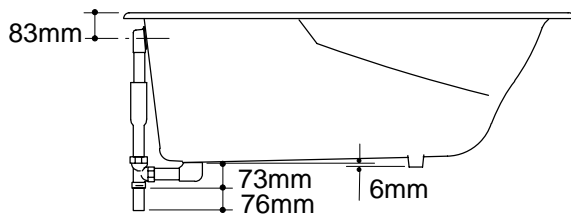
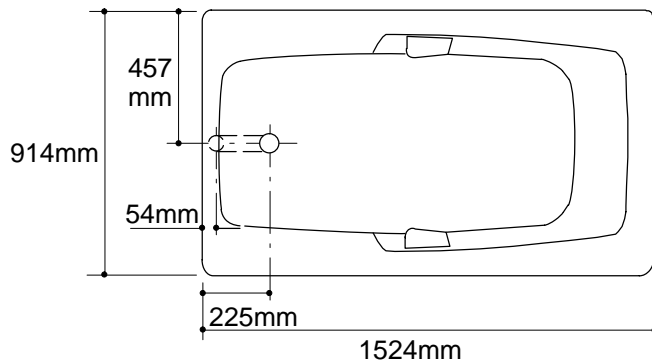
**Product Information**

Fixture*:	basin area	top area	weight
Bathing well	1092 x 483mm	1372 x 762mm	144 Kg.
	water depth	capacity	
To overflow	381mm	235 litres	

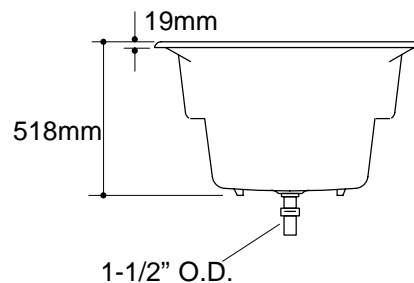
\* Approximate measurements for comparison only.

**Installation Notes**

Refer to installation instructions included with fixture before beginning installation.



Roughing-In Notes	
Fixture dimensions are nominal and conform to tolerances in ANSI Standard A112.19.1.	
No change in measurements if connected with drain illustrated.	
Cut-out for drop-in	1486 x 876mm
Cut-out for undermount	K-584 template required



1.25>132