

**Ordering Information**

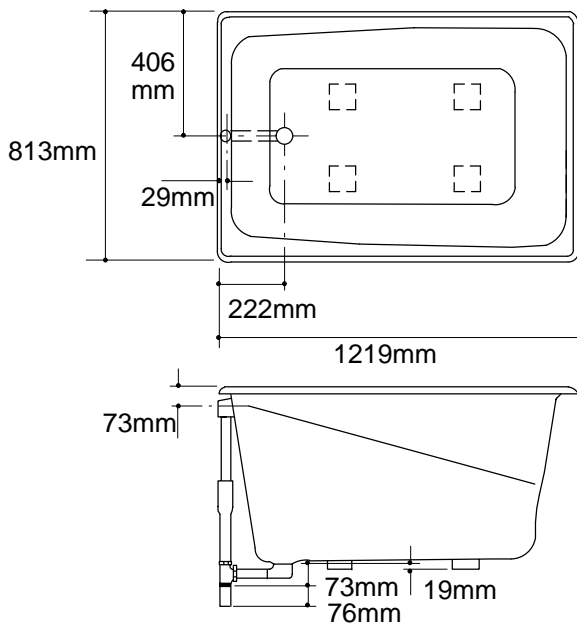
Accessories/hardware:		
Drain	K-7163	required
Apron	K-1495	recommended
Vinyl tiling-in bead*	K-1178	optional
*Use K-1178 vinyl bead when wall material contacts any top surface of bath.		

**Product Information**

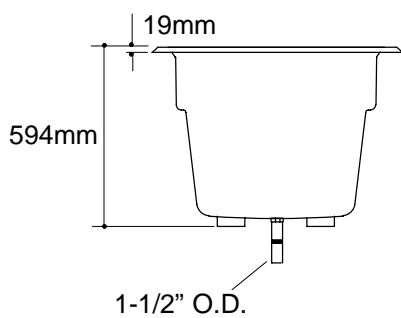
Fixture*:	basin area	top area	weight
Bathing well	889 x 483mm	1143 x 711mm	27 Kg.
	water depth	capacity	
To overflow	454mm	227 litres	
* Approximate measurements for comparison only.			
Included Components:			
Repose™ vinyl bath pillow (in almond)		K-9785	

**Installation Notes**

Refer to installation instructions included with fixture before beginning installation.



<b>Roughing-In Notes</b>	
Fixture conforms to ANSI Standard Z124.1. All dimensions are nominal.	
No change in measurements if connected with drain illustrated.	
Cut-out	1181 x 775mm



1.25>132