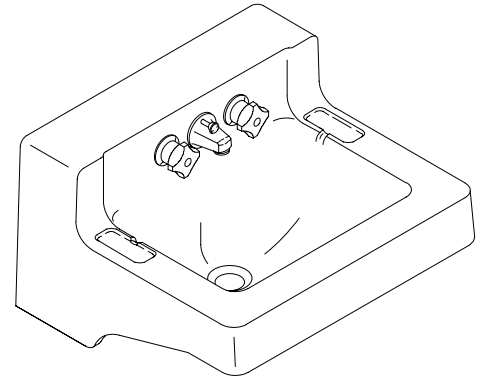


WALL-MOUNT LAVATORY

K-1620, K-1623

FEATURES

- 19" x 17"
- Vitreous china
- Shelf-back
- Factory-installed Triton™ faucet
- Vandal-resistant aerator (K-1623)
- With overflow



CODES/STANDARDS APPLICABLE

Specified model meets or exceeds the following:

- ASME/ANSI A112.19.2M
- IAPMO/UPC
- Canadian Standards Association (CSA)

COLORS/FINISHES

- 0 White

SPECIFIED MODEL:

| Model | Description | Colors/Finishes |
|--------|---|----------------------------------|
| K-1620 | Lavatory with standard aerator and pop-up drain | <input type="checkbox"/> 0 White |
| K-1623 | Lavatory with vandal resistant aerator and grid drain | <input type="checkbox"/> 0 White |

PRODUCT SPECIFICATION:

The lavatory with shelf-back shall be 19" in length, and 17" in width. Lavatory shall be made of vitreous china. Lavatory shall have factory-installed Triton™ faucet. Lavatory shall have overflow. Lavatory shall be Kohler Model K-_____-_____-_____.

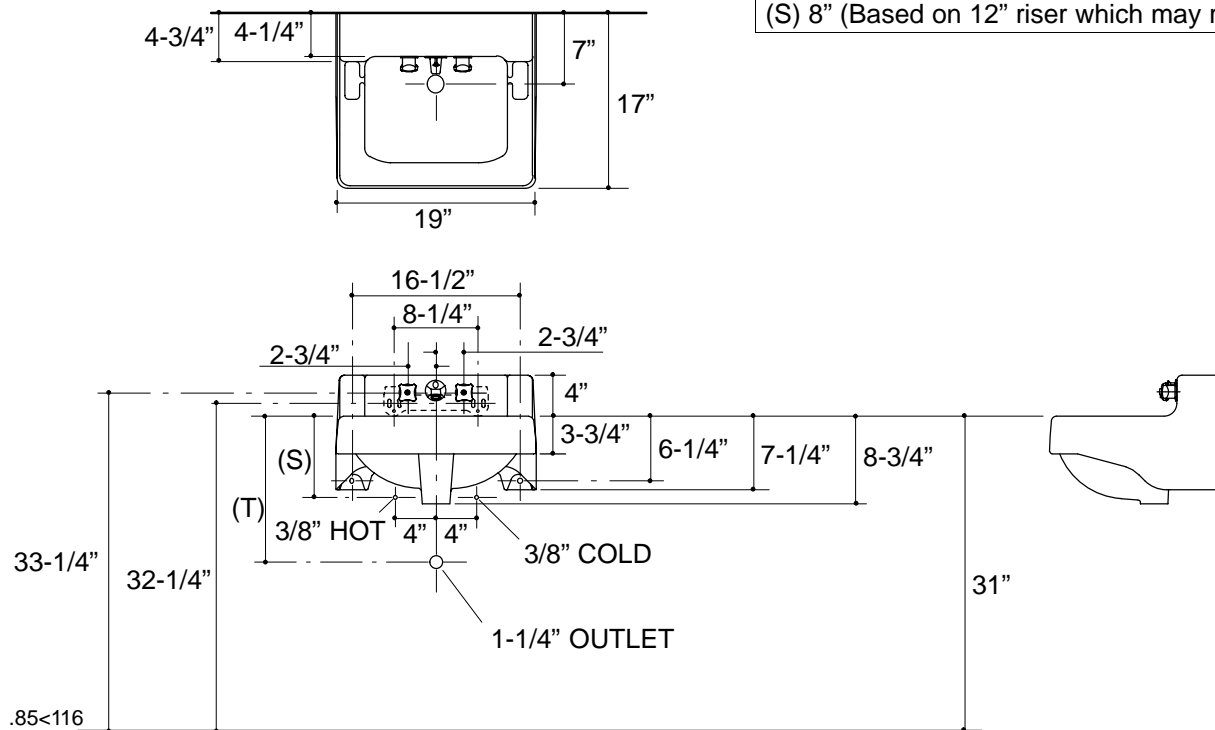
PRODUCT INFORMATION

| | | | |
|---|---------------|------------|-------------|
| Fixture*: | | basin area | water depth |
| Lavatory | | 14" x 11" | 5-1/4" |
| Outlet | 1-3/4" D. | | |
| * Approximate measurements for comparison only. | | | |
| Holes | K-1620 | | |
| Spout | 1-1/2" D. | | |
| Faucet | 1-3/16" D. | | |
| Included Components: | | | |
| Hanger (1) | | 64839 | |

Roughing-In Notes

(T) Pop-up drain 14-3/8", drain 13-1/2".

(S) 8" (Based on 12" riser which may require cutting).



PRODUCT DIAGRAM