

Ordering Information

Applicable product:		
8" centers lavatory	K-1724	shown
4" centers lavatory	K-1728	not shown
Single-hole lavatory	K-1722	not shown
Accessories/hardware:		
Trap	K-8998	recommended

Product Information

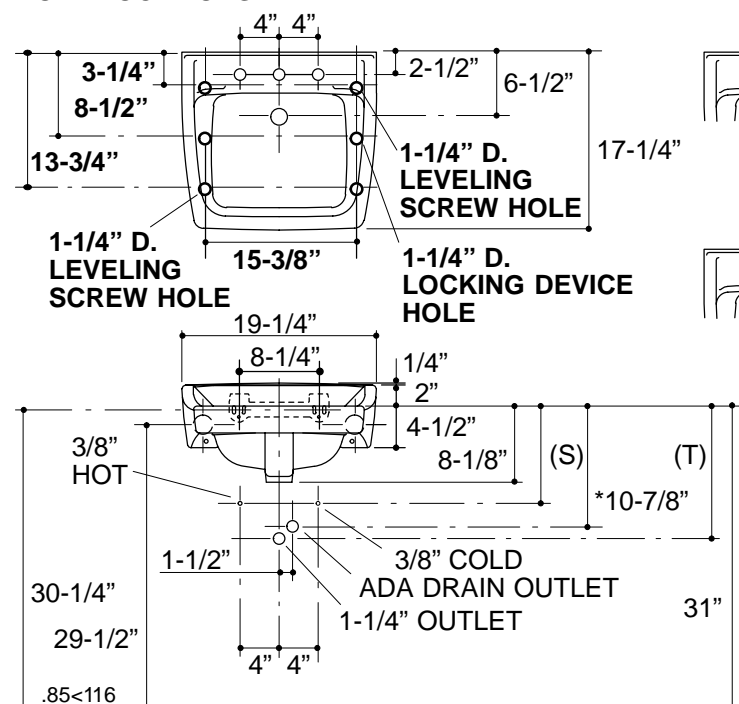
ADA compliant.			
Fixture*:		basin area	water depth
Lavatory		14" x 11"	4-7/8"
Outlet	1-3/4" D.		
* Approximate measurements for comparison only.			
Holes	K-1724	K-1728	K-1722
Spout	1-3/16" D.	1-3/16" D.	1-3/8" D.
Faucet	1-3/8" D.	1-3/16" D.	
Soap dispenser			1-1/4" D.

Included Components:	
Hanger	64839

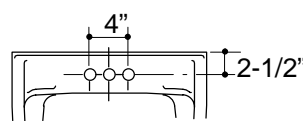
Installation Notes

Refer to installation instructions included with fixture before beginning installation.

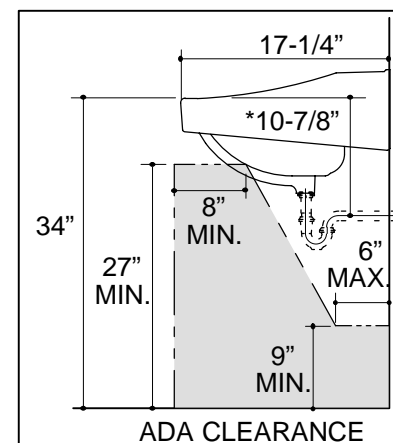
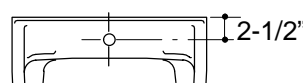
CONCEALED ARM HOLE LOCATIONS K-1724



K-1728



K-1722



Roughing-In Notes

Fixture dimensions are nominal and conform to tolerances in ASME Standard A112.19.2M.

*Based on K-8998, with 1" tailpiece exposed.

(T) Pop-up drain 13-3/4", grid drain 12-7/8".

(S) 10" (Based on 12" riser which may require cutting).

Supplied hanger not used with concealed arm carrier.