

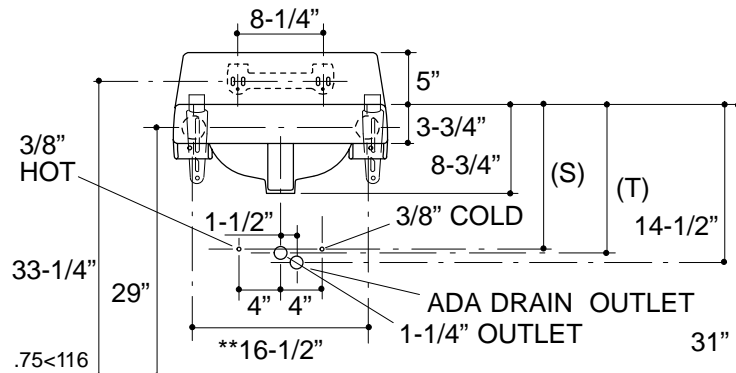
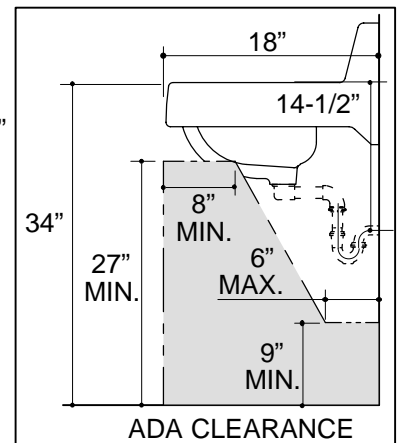
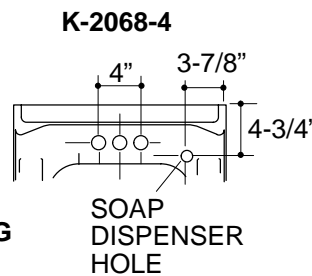
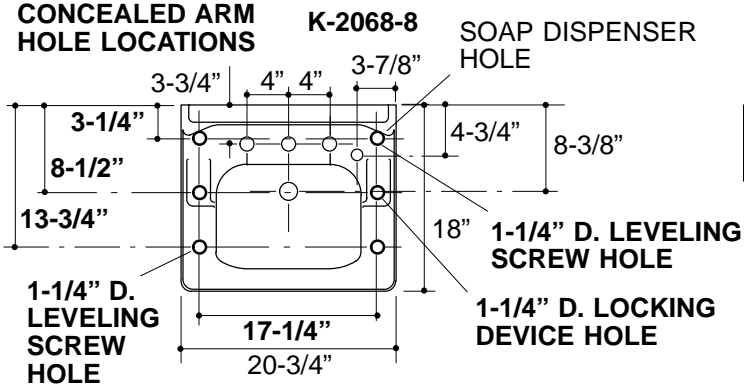
Ordering Information

Applicable product:		
8" centers lavatory	K-2068-8	shown
4" centers lavatory	K-2068-4	not shown
Accessories/hardware:		
Brackets	K-1808	optional
Trap	K-8998	optional
Drain	K-13885	optional

Product Information

ADA compliant when installed with K-13885 offset drain.			
Fixture*:		basin area	water depth
Lavatory		14" x 10"	5-3/4"
Outlet	1-3/4" D.		
* Approximate measurements for comparison only.			
Holes	K-2068-8	K-2068-4	
Spout	1-3/16" D.	1-3/16" D.	
Faucet	1-3/8" D.	1-3/16" D.	
Soap dispenser	1-1/4" D.	1-1/4" D.	
Included Components:			
Hanger			64839
Supplied hanger not used with concealed arm carrier.			

CONCEALED ARM HOLE LOCATIONS



Roughing-In Notes

Fixture dimensions are nominal and conform to tolerances in ASME Standard A112.19.2M.

**Dimensions from centerline to centerline of brackets.

(T) Pop-up drain 14-3/8", grid drain 13-1/2".

(S) 14" (Based on 12" riser which may require cutting).