

WALL-MOUNT LAVATORY

K-2053, K-2054

ADA

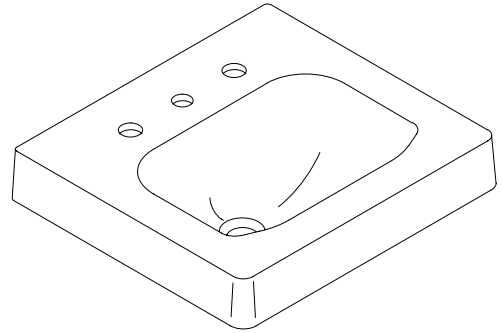
FEATURES

- 20" x 18"
- Vitreous china
- Wall-mount
- 8" centers (K-2053) or 4" centers (K-2054)
- With overflow
- ADA compliant when installed with K-13885 offset drain
- Drilled for concealed arm carrier

CODES/STANDARDS APPLICABLE

Specified model meets or exceeds the following:

- ADA when installed with K-13885 offset drain
- ASME/ANSI A112.19.2M
- CABO/ANSI A117.1
- IAPMO/UPC
- Canadian Standards Association (CSA)



COLORS/FINISHES

- 0 White

Accessories:

- CP Polished Chrome
- Other Refer to Faucets Price Book for additional finishes

SPECIFIED MODEL:

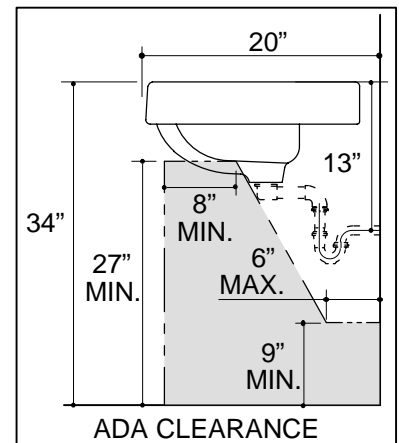
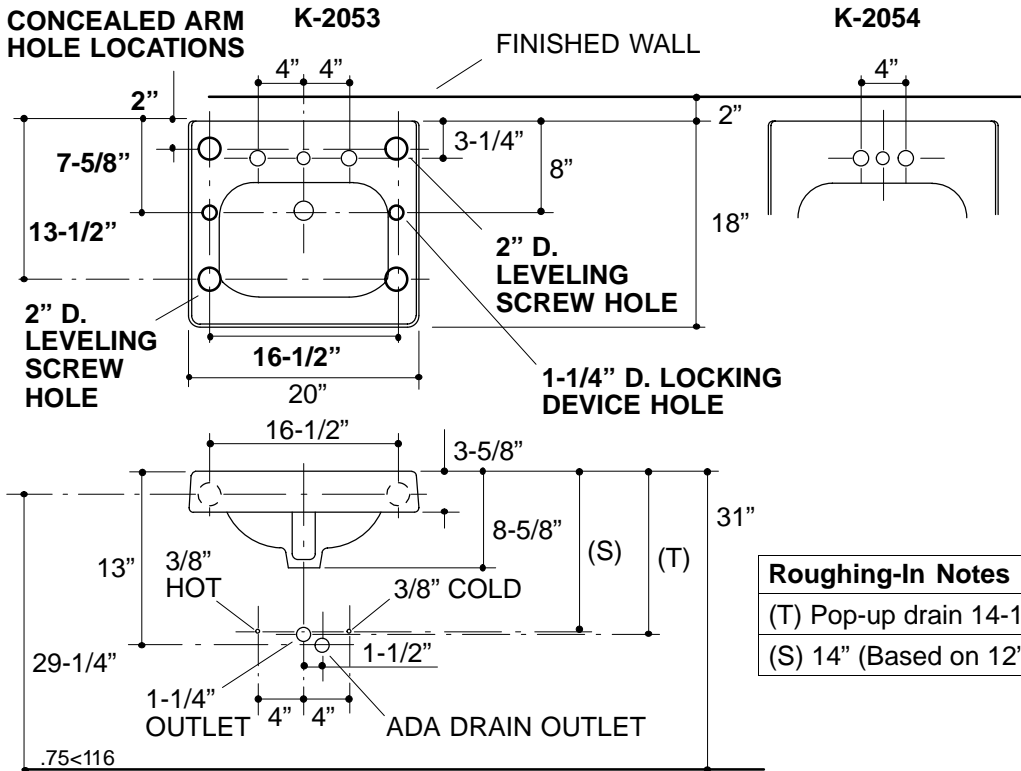
| Model | Description | Colors/Finishes | |
|----------------------|---------------------|----------------------------------|--------------------------------------|
| K-2053 | 8" centers lavatory | <input type="checkbox"/> 0 White | |
| K-2054 | 4" centers lavatory | <input type="checkbox"/> 0 White | |
| Optional Accessories | | | |
| K-13885 | Drain | <input type="checkbox"/> CP | <input type="checkbox"/> Other _____ |

PRODUCT SPECIFICATION:

The wall-mount lavatory shall be 20" in length, and 18" in width. Lavatory shall be made of vitreous china. Lavatory shall have 8" centers (K-2053) or 4" centers (K-2054). Lavatory shall have overflow. Lavatory shall be ADA compliant when installed with K-13885 offset drain. Lavatory shall be drilled for concealed arm carrier. Lavatory shall be Kohler Model K-_____-_____.

PRODUCT INFORMATION

| | | | |
|---|---------------|---------------|-------------|
| ADA compliant when installed with K-13885 offset drain. | | | |
| Fixture*: | | basin area | water depth |
| Lavatory | | 15" x 10" | 5-5/8" |
| Outlet | 1-3/4" D. | | |
| * Approximate measurements for comparison only. | | | |
| Holes | K-2053 | K-2054 | |
| Spout | 1-3/16" D. | 1-3/16" D. | |
| Faucet | 1-3/8" D. | 1-3/16" D. | |



Roughing-In Notes

(T) Pop-up drain 14-1/4", grid drain 13-3/8".

(S) 14" (Based on 12" riser which may require cutting).

PRODUCT DIAGRAM