

Ordering Information

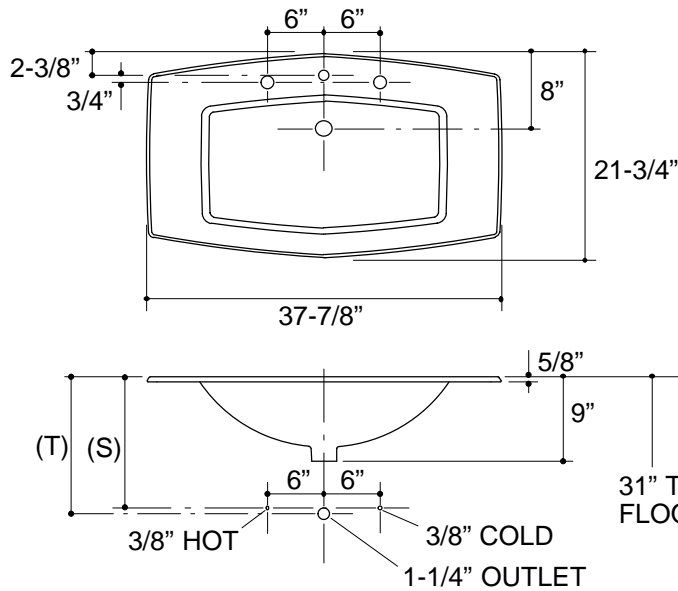
| | | |
|----------------------|-----------|-------|
| Applicable product | | |
| 12" centers lavatory | K-2165-12 | shown |

Product Information

| | | | |
|---|-----------|------------|-------------|
| Fixture*: | | basin area | water depth |
| Lavatory | | 24" x 13" | 5-5/8" |
| Outlet | 1-3/4" D. | | |
| * Approximate measurements for comparison only. | | | |

| | | | |
|--------|------------------|--|--|
| Holes | K-2165-12 | | |
| Spout | 1-3/16" D. | | |
| Faucet | 1-3/8" D. | | |

| | |
|----------------------|--------|
| Included Components: | |
| Adhesive sealant | 63034 |
| Cutout template | 101081 |



| |
|---|
| Roughing-In Notes |
| Fixture dimensions are nominal and conform to tolerances in ASME Standard A112.19.2M. |
| (T) Pop-up typically 14-5/8". |
| (S) 14" (Based on 12" riser which may require cutting). |

.8>116