

Ordering Information

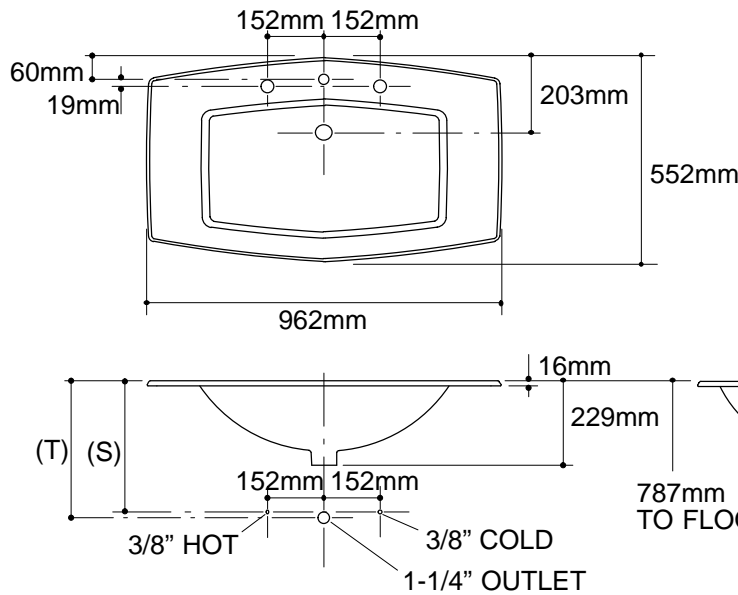
Applicable product		
305mm centers lavatory	K-2165-12	shown

Product Information

Fixture*:		basin area	water depth
Lavatory		610 x 330mm	143mm
Outlet	Ø44mm		
* Approximate measurements for comparison only.			

Holes	K-2165-12		
Spout	Ø30mm		
Faucet	Ø35mm		

Included Components:	
Adhesive sealant	63034
Cutout template	101081



Roughing-In Notes

Fixture dimensions are nominal and conform to tolerances in ASME Standard A112.19.2M.

(T) Pop-up typically 371mm.

(S) 356mm (Based on 305mm riser which may require cutting).