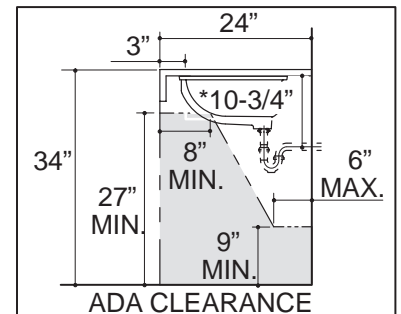
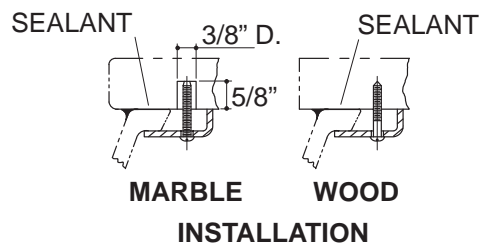
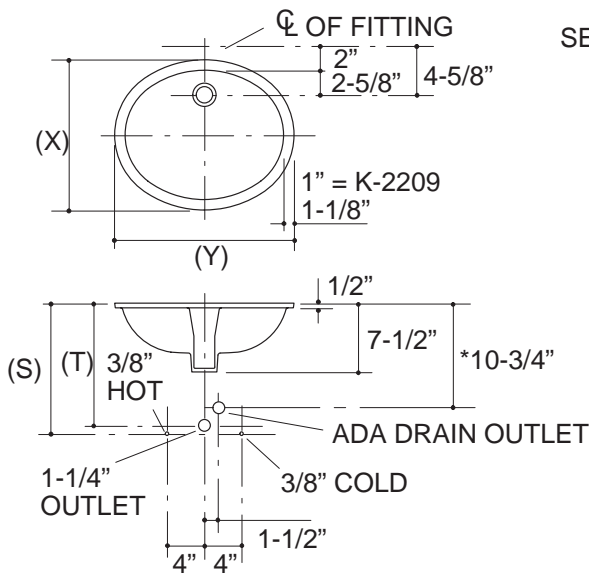


### Ordering Information

Applicable product:		
15" x 12" lavatory	K-2209	shown
17" x 14" lavatory	K-2210	shown
17" x 14" glazed underside	K-2210-G	shown
19" x 15" lavatory	K-2211	shown
19" x 15" glazed underside	K-2211-G	shown
Accessories/hardware:		
Trap	K-8998	recommended

### Product Information

ADA compliant.			
Fixture*:		basin area	water depth
Lavatory: K-2209		15" x 12"	4"
Lavatory: K-2210		17" x 14"	4"
Lavatory: K-2211		19" x 15"	4"
Outlet	1-3/4" D.		
* Approximate measurements for comparison only.			
Included Components:			
Basin clamp assembly			52047
Adhesive sealant			63034
Cutout template			101085-7



#### Roughing-In Notes

- Fixture dimensions are nominal and conform to tolerances in ASME Standard A112.19.2M.
- (T) Pop-up drain 13-1/8", grid drain 12-1/4".
- (S) 14" (Based on 12" riser which may require cutting).
- Supplied basin clamp assemblies require 1" minimum countertop thickness. Installer must supply anchors for thinner countertops.
- \*Based on K-8998 with 1" of tailpiece exposed.
- K-2209: (X)=14", (Y)=17".
- K-2210: (X)=16-1/4", (Y)=19-1/4".
- K-2211: (X)=17-1/4", (Y)=21-1/4".

116<.75