

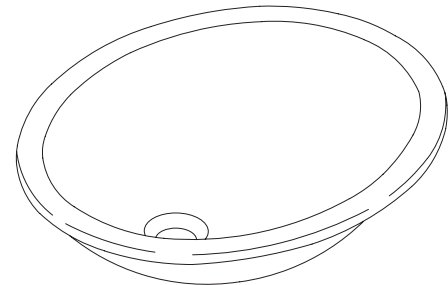
UNDERCOUNTER LAVATORY

K-2209, K-2210, K-2211

ADA

FEATURES

- 15" x 12" (K-2209)
- 17" x 14" (K-2210)
- 19" x 15" (K-2211)
- Vitreous china
- Undercounter
- With overflow
- ADA compliant



CODES/STANDARDS APPLICABLE

Specified model meets or exceeds the following:

- ADA
- ASME/ANSI A112.19.2M
- CABO/ANSI A117.1
- IAPMO/UPC
- Canadian Standards Association (CSA)
- State of Massachusetts

COLORS/FINISHES

- 0 White
- Other Refer to Fixtures Price Book for additional colors

Accessories:

- CP Polished Chrome
- Other Refer to Faucets Price Book for additional finishes

SPECIFIED MODEL:

Model	Description	Colors/Finishes	
K-2209	15" x 12" lavatory	<input type="checkbox"/> 0 White	<input type="checkbox"/> Other_____
K-2210	17" x 14" lavatory	<input type="checkbox"/> 0 White	<input type="checkbox"/> Other_____
K-2210-G	17" x 14" lavatory with glazed underside	<input type="checkbox"/> 0 White	<input type="checkbox"/> Other_____
K-2211	19" x 15" lavatory	<input type="checkbox"/> 0 White	<input type="checkbox"/> Other_____
K-2211-G	19" x 15" lavatory with glazed underside	<input type="checkbox"/> 0 White	<input type="checkbox"/> Other_____

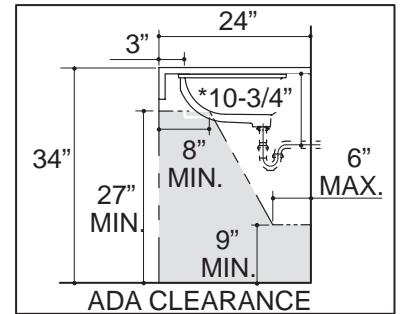
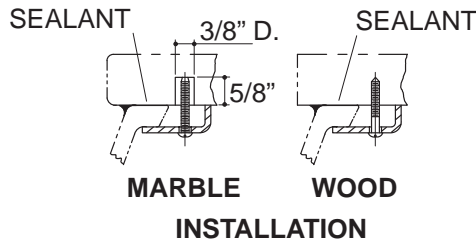
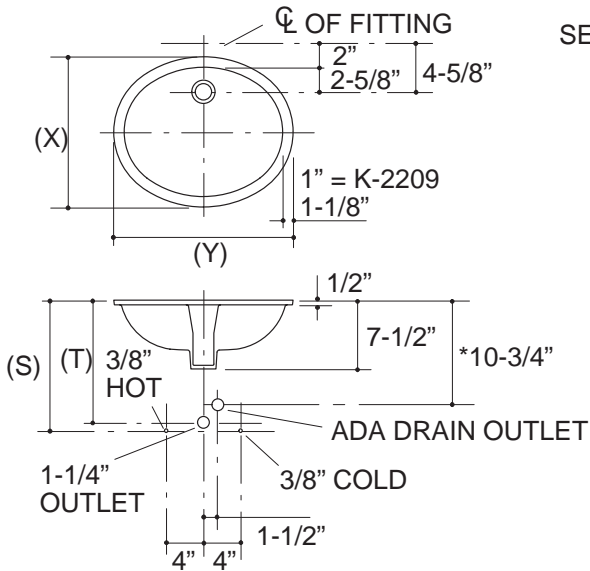
Recommended Accessories			
K-8998	Trap	<input type="checkbox"/> CP	<input type="checkbox"/> Other_____

PRODUCT SPECIFICATION:

The undercounter lavatory shall be 15" in length, and 12" in width (K-2209), 17" in length, and 14" in width (K-2210), or 19" in length, and 15" in width (K-2211). Lavatory shall be made of vitreous china. Lavatory shall have overflow. Lavatory shall be ADA compliant. Lavatory shall include 52047 clamp assembly. Lavatory shall be Kohler Model K-_____-_____.

PRODUCT INFORMATION

ADA compliant.			
Fixture*:		basin area	water depth
Lavatory: K-2209		15" x 12"	4"
Lavatory: K-2210		17" x 14"	4"
Lavatory: K-2211		19 x 15"	4"
Outlet	1-3/4" D.		
* Approximate measurements for comparison only.			
Included Components:			
Basin clamp assembly		52047	
Adhesive sealant		63034	
Cutout template		101085-7	



Roughing-In Notes

(T) Pop-up drain 13-1/8", grid drain 12-1/4".

(S) 14" (Based on 12" riser which may require cutting).

Supplied basin clamp assemblies require 1" minimum countertop thickness. Installer must supply anchors for thinner countertops.

*Based on K-8998 with 1" of tailpiece exposed.

K-2209: (X)=14", (Y)=17".

K-2210: (X)=16-1/4", (Y)=19-1/4".

K-2211: (X)=17-1/4", (Y)=21-1/4".

PRODUCT DIAGRAM