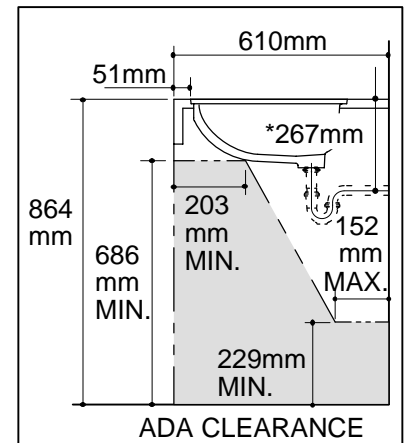
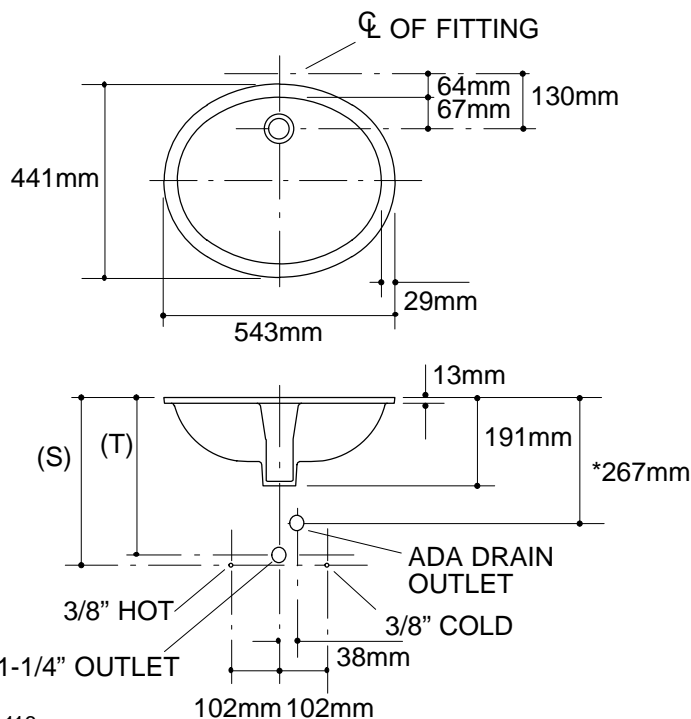


Ordering Information

Accessories/hardware:		
Metal frame	K-6681	recommended
Trap	K-8998	optional

Product Information

ADA compliant.			
Fixture*:		basin area	water depth
Lavatory		483 x 381mm	102mm
Outlet	Ø44mm		
* Approximate measurements for comparison only.			



Roughing-In Notes

Fixture dimensions are nominal and conform to tolerances in ASME Standard A112.19.2M.

*Based on K-8998 with 25mm of tailpiece exposed.

(T) Pop-up drain 333mm, grid drain 311mm.

(S) 356mm (Based on 305mm riser which may require cutting).

Cutout metal frame required.

.9<116