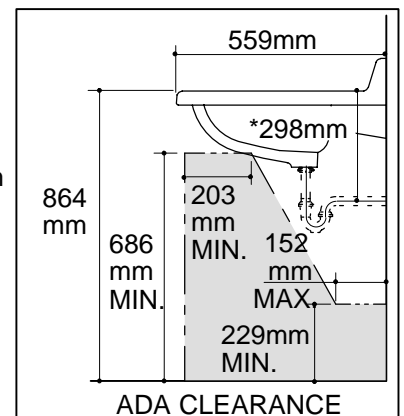
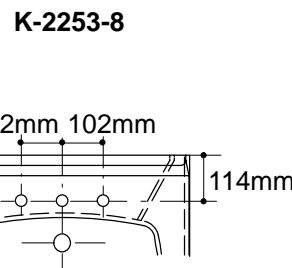
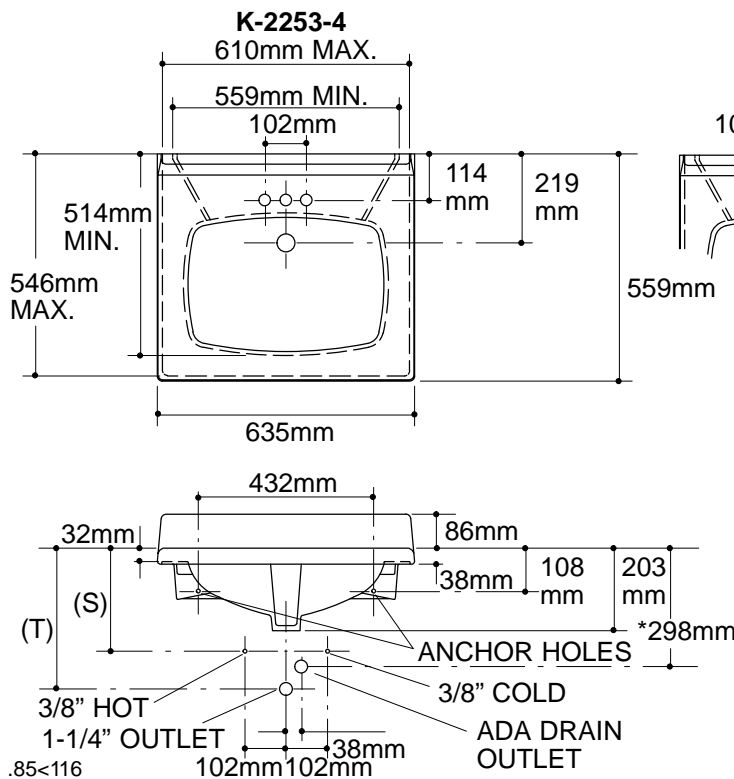


Ordering Information

Applicable lavatory:		
102mm centers	K-2253-4	shown
203mm centers	K-2253-8	not shown
Accessories/hardware:		
Trap	K-8998	recommended

Product Information

ADA compliant.			
Fixture*:		basin area	water depth
Lavatory		483 x 330mm	127mm
Outlet	Ø44mm		
* Approximate measurements for comparison only.			
Holes	K-2253-8	K-2253-4	
Spout	Ø30mm	Ø30mm	
Faucet	Ø35mm	Ø30mm	
Included Components:			
Cork shims (6)			63067
Adhesive sealant			63034



Roughing-In Notes

- Fixture dimensions are nominal and conform to tolerances in ASME Standard A112.19.2M.
- *Based on K-8998, with 25mm tailpiece exposed.
- (T) Pop-up drain 346mm, grid drain 324mm.
- (S) 254mm (Based on 305mm riser which may require cutting).
- Cabinet front corner braces, back panels, and/or bracing may have to be modified or relocated on some cabinet models.