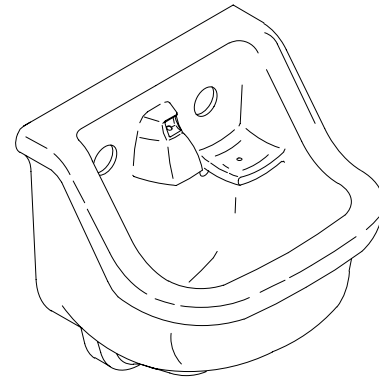


#### FEATURES

- 14" x 12"
- Vitreous china
- Wall-mount
- Integral slow draining outlet
- Integral bubbler and soap dish
- With built-in supply (specify with K-7482)
- Outlet and inlet spuds
- Less K-7482 faucet (shown)



#### CODES/STANDARDS APPLICABLE

Specified model meets or exceeds the following:

- ASME/ANSI A112.19.2M
- IAPMO/UPC
- Canadian Standards Association (CSA)
- State of Massachusetts

#### COLORS/FINISHES

- 0 White

#### Accessories:

- CP Polished Chrome

#### SPECIFIED MODEL:

Model	Description	Colors/Finishes
K-2475	Wall-mount lavatory	<input type="checkbox"/> 0 White

Recommended Accessories		
K-7482	Faucet	<input type="checkbox"/> CP
K-2480-A	Support bolt (if required), for use with "cold water supply" only	<input type="checkbox"/> CP

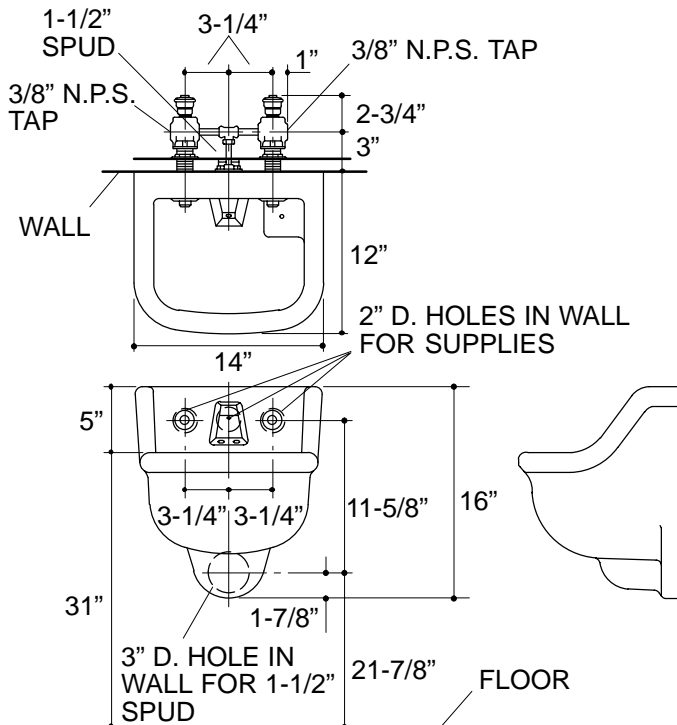
#### PRODUCT SPECIFICATION:

The wall-mount lavatory shall be 14" in length, and 12" in width. Lavatory shall be made of vitreous china. Lavatory shall have slow draining outlet. Lavatory shall have integral bubbler and soap dish. Lavatory shall have built-in supply. Lavatory shall have outlet and inlet spuds. Lavatory shall be less K-7482 faucet (recommended). Lavatory shall be Kohler Model K-2475-\_\_\_\_\_.

# CHARDON™

## PRODUCT INFORMATION

Fixture*:		basin area	water depth
Lavatory		11" x 9"	5-5/8"
Outlet (without spud)	2-1/4" D.		
Faucet holes	1-1/2" D.		
Spout hole (without spud)	1-1/8" D.		
* Approximate measurements for comparison only.			
Included Components:			
1-1/2" outlet spud		18357	
Inlet spud		31686	



### Roughing-In Notes

Outlet spud for slipping in 1-1/2" O.D. tubing, also with 1-1/2" N.P.S. straight outside thread.

Supply fitting regularly furnished for wall not to exceed 1" thick. For thicker wall add 1" to supply measurement (3") for every inch or fraction of additional wall thickness.

Required accessories/hardware are shown.

1.1>116

## PRODUCT DIAGRAM