

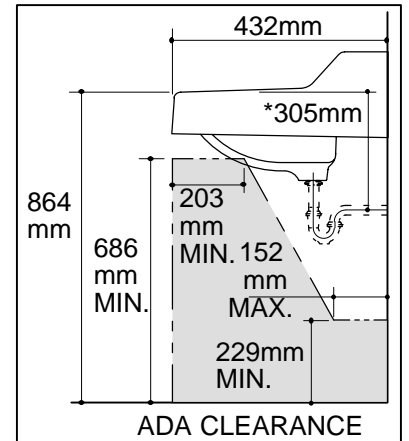
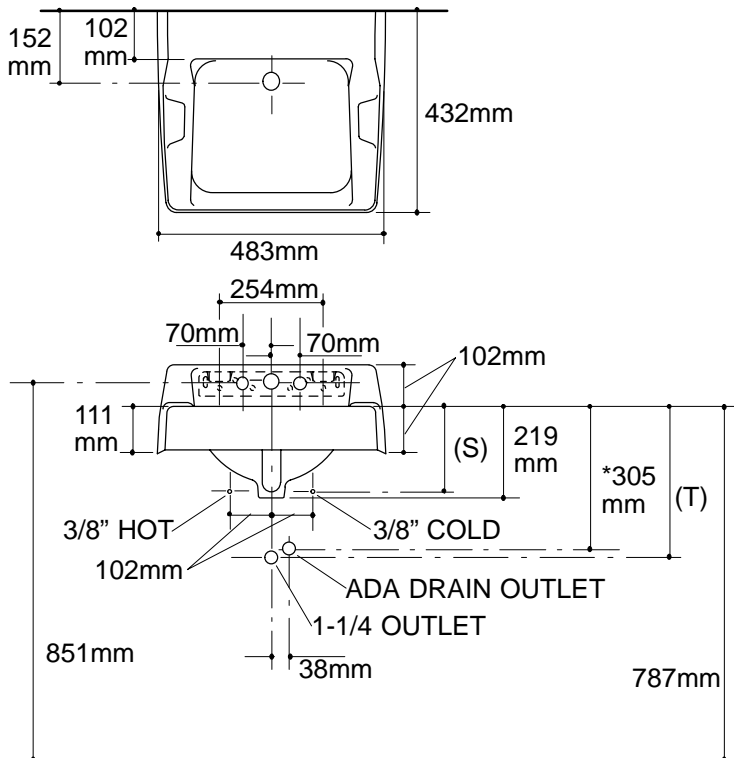
Ordering Information

| | | |
|-----------------------|-----------|-------------|
| Applicable lavatory: | | |
| With faucet | K-2705 | shown |
| Without faucet | K-2705-EH | not shown |
| Accessories/hardware: | | |
| Trap | K-8998 | recommended |

Product Information

| | | | |
|---|-------|-------------|-------------|
| ADA compliant. | | | |
| Fixture*: | | basin area | water depth |
| Lavatory | | 356 x 330mm | 130mm |
| Outlet | Ø43mm | | |
| Faucet holes | Ø30mm | | |
| Spout hole | Ø38mm | | |
| * Approximate measurements for comparison only. | | | |

| | |
|----------------------|-------|
| Included Components: | |
| Hanger (1) | 64503 |
| Overflow ferrule (1) | 44071 |



| |
|--|
| Roughing-In Notes |
| Fixture dimensions are nominal and conform to tolerances in ASME/ANSI Standard A112.19.1M. |
| *Based on K-8998, with 25mm tailpiece exposed. |
| (T) Pop-up drain 362mm, grid drain 340mm. |
| (S) 203mm (Based on 305mm riser which may require cutting). |