

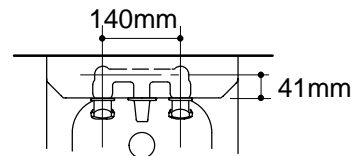
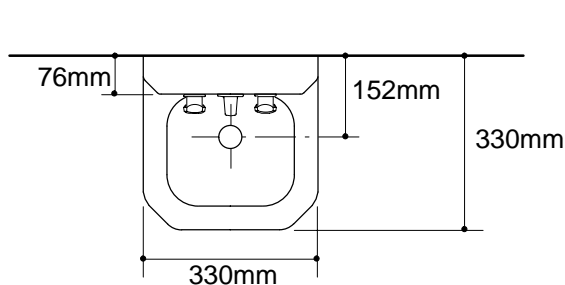
## Ordering Information

Applicable lavatory:		
With faucet	K-2753	shown

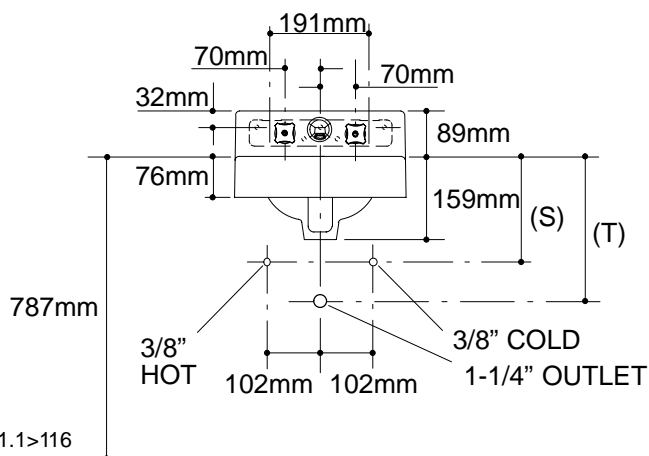
## Product Information

Fixture*:		basin area	water depth
Lavatory		254 x 203mm	76mm
Outlet	Ø43mm		
Faucet holes	Ø30mm		
Spout hole	Ø38mm		
* Approximate measurements for comparison only.			

Included Components:	
Triton faucet	K-8048-2A
Hanger (1)	64508
Overflow ferrule (1)	44071



**FAUCET DETAIL**



### Roughing-In Notes

Fixture dimensions are nominal and conform to tolerances in ASME/ANSI Standard A112.19.1M.

(T) Drain 279mm.

Pop-up drain cannot be used on this lavatory.

(S) 203mm (Based on 305mm riser which may require cutting).