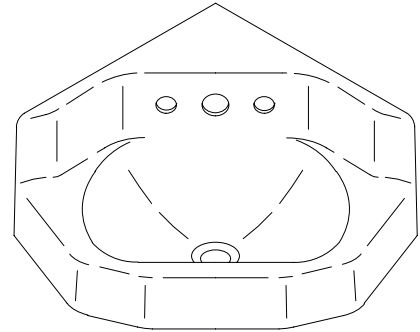


### WALL-MOUNT CORNER LAVATORY

# K-2766

#### FEATURES

- 16" x 16"
- Cast iron
- Wall-mount
- Shelf-back
- Corner lavatory
- Factory installed K-8040-2A Triton faucet with pop-up drain and stopper drain, aerator.
- Less K-8040-2A Triton faucet (-EH)
- With overflow



#### CODES/STANDARDS APPLICABLE

Specified model meets or exceeds the following:

- ASME/ANSI A112.19.1M
- IAPMO/UPC
- Canadian Standards Association (CSA)
- State of Massachusetts

#### COLORS/FINISHES

- 0 White
- Other Refer to Fixtures Price Book for additional colors

#### SPECIFIED MODEL:

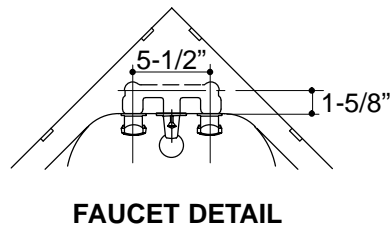
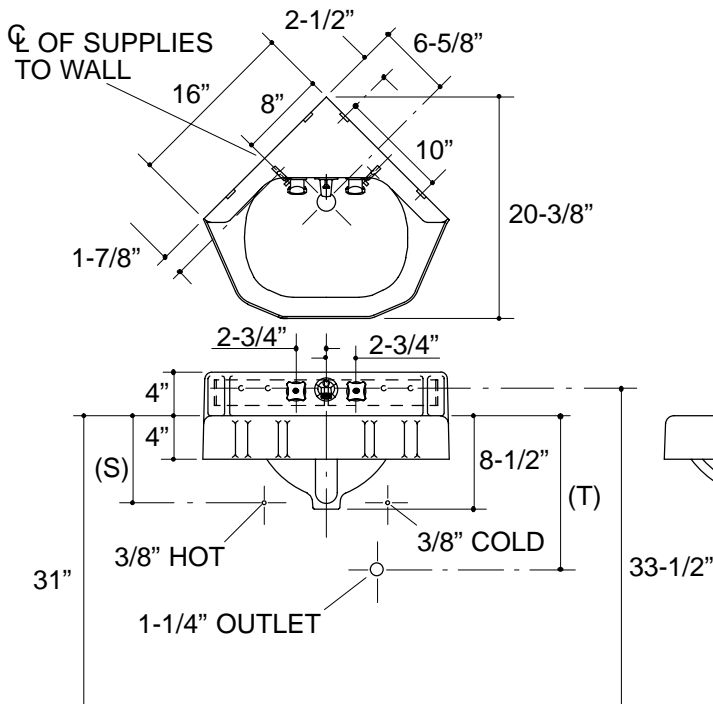
Model	Description	Colors/Finishes	
K-2766	Wall-mount corner lavatory with faucet	<input type="checkbox"/> 0 White	<input type="checkbox"/> Other_____
K-2766-EH	Wall-mount corner lavatory less faucet	<input type="checkbox"/> 0 White	<input type="checkbox"/> Other_____

#### PRODUCT SPECIFICATION:

The shelf-back, corner, wall-mount lavatory shall be 16" in length, and 16" in width. Lavatory shall be made of cast iron. Lavatory shall have factory installed K-8040-2A Triton lavatory faucet with pop-up and stopper drain, aerator, or be less faucet (-EH). Lavatory shall have overflow. Lavatory shall be Kohler Model K-2766-\_\_\_\_\_-\_\_\_\_\_.

## PRODUCT INFORMATION

Fixture*:		basin area	water depth
Lavatory		15" x 11"	5"
Outlet	1-1/16" D.		
* Approximate measurements for comparison only.			
Holes	<b>K-2766</b>		
Spout	1-1/2" D.		
Faucet	1-3/16" D.		
Included Components:			
Triton faucet		K-8040-2A	
Hanger		64503	
Overflow ferrule (1)		44071	



<b>Roughing-In Notes</b>
(T) Pop-up drain 14-1/8", drain 13-1/4".
(S) 8" (Based on 12" riser which may require cutting).

.9<116

## PRODUCT DIAGRAM