

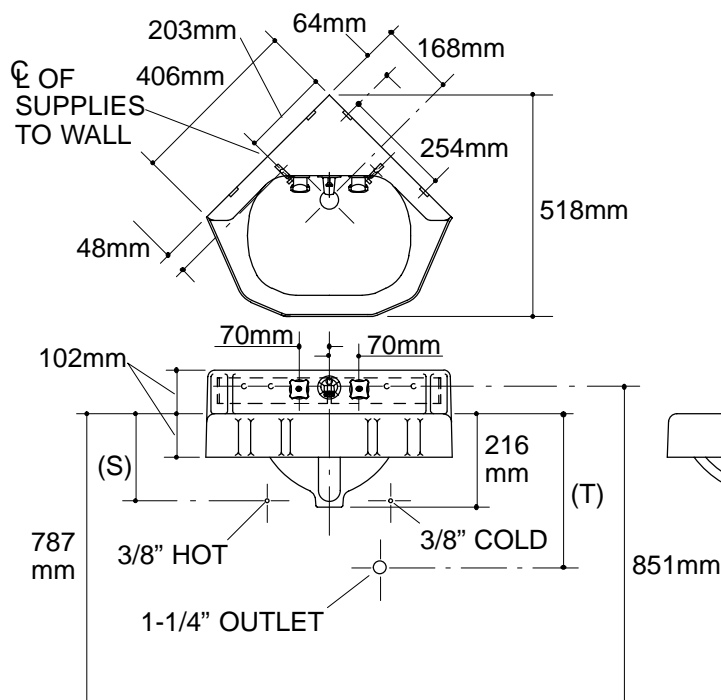
Ordering Information

Applicable lavatory:		
With faucet	K-2766	shown
Without faucet	K-2766-EH	not shown

Product Information

Fixture*:		basin area	water depth
Lavatory		381 x 279mm	127mm
Outlet	Ø27mm		
Faucet holes	Ø30mm		
Spout hole	Ø38mm		
* Approximate measurements for comparison only.			

Included Components:	
Triton faucet	K-8040-2A
Hanger	64503
Overflow ferrule (1)	44071



Roughing-In Notes

Fixture dimensions are nominal and conform to tolerances in ASME/ANSI Standard A112.19.1M.

(T) Pop-up drain 359mm, grid drain 337mm.

(S) 203mm (Based on 305mm riser which may require cutting).

.9<116