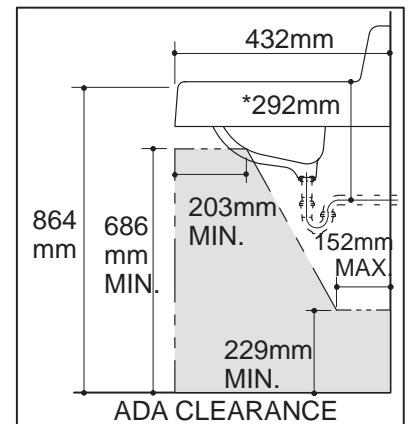
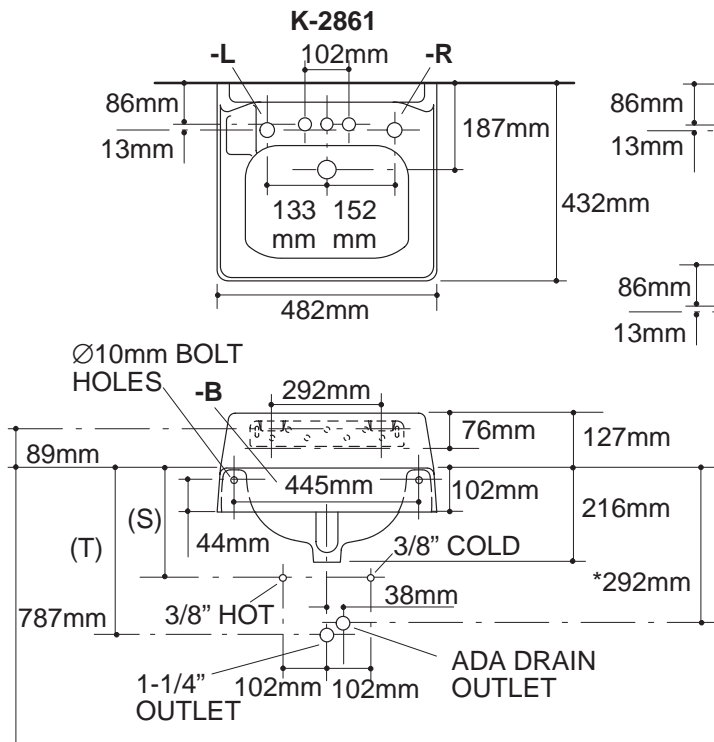


### Ordering Information

Applicable product:		
<b>102mm centers lavatory</b>	K-2861	shown
soap dispenser on left	K-2861-L	
soap dispenser on right	K-2861-R	
w/ 445mm thru bolt holes & soap dispenser on left	K-2861-B	
& soap dispenser on right	K-2861-RB	
<b>203mm centers lavatory</b>	K-2863	not shown
soap dispenser on right	K-2863-R	
w/ 445mm thru bolt holes & soap dispenser on right	K-2863-RB	
<b>Single-hole lavatory</b>	K-2805	not shown
soap dispenser on left	K-2805-L	
soap dispenser on right	K-2805-R	
w/ 445mm thru bolt holes & soap dispenser on left & soap dispenser on right	K-2805-B K-2805-LB K-2805-RB	

### Product Information

ADA compliant.			
Fixture*:		basin area	water depth
Lavatory		381 x 254mm	127mm
Outlet	Ø43mm		
* Approximate measurements for comparison only.			
Holes	<b>K-2863</b>	<b>K-2861</b>	<b>K-2805</b>
Spout	Ø29mm	Ø29mm	Ø35mm
Faucet	Ø33mm	Ø33mm	
Soap dispenser			Ø38mm
Included Components:			
Hanger			64503
Accessories/hardware recommended:			
Trap			K-8998



### Roughing-In Notes

Fixture dimensions are nominal and conform to tolerances in ASME Standard A112.19.2M.

\*Based on K-8998, with 25mm tailpiece exposed.

(T) Pop-up drain 359mm, grid drain 337mm.

Supply (Based on 12" riser which may require cutting).	K-2861 K-2805	K-2863
(S)	254mm	356mm

.95<116

**K-2805, K-2861, K-2863 Hudson™ Lavatory**  
105057-1M-CA (-)

# KOHLER<sup>®</sup>