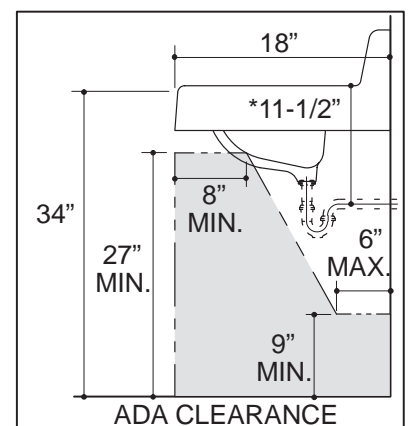
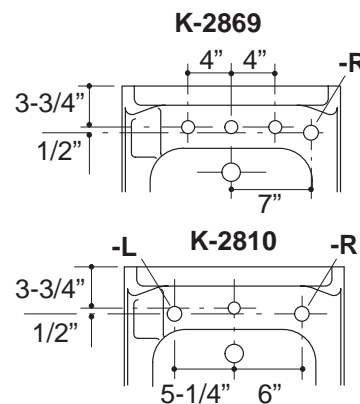
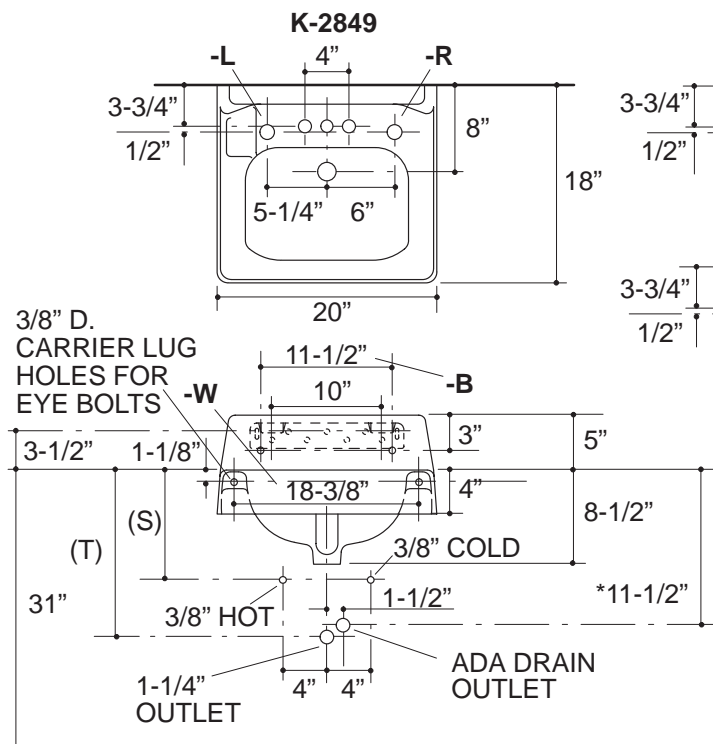


Ordering Information

Applicable product:		
4" centers lavatory	K-2849	shown
soap dispenser on left	K-2849-L	
soap dispenser on right	K-2849-R	
w/ 11-1/2" thru bolt holes	K-2849-B	
& soap dispenser on left	K-2849-LB	
& soap dispenser on right	K-2849-RB	
w/ 18-3/8" thru bolt holes	K-2849-W	
8" centers lavatory	K-2869	not shown
soap dispenser on right	K-2869-R	
w/ 11-1/2" thru bolt holes	K-2869-B	
& soap dispenser on right	K-2869-RB	
Single-hole lavatory	K-2810	not shown
soap dispenser on left	K-2810-L	
soap dispenser on right	K-2810-R	
w/ 11-1/2" thru bolt holes	K-2810-B	
& soap dispenser on left	K-2810-LB	
& soap dispenser on right	K-2810-RB	

Product Information

ADA compliant.			
Fixture*:		basin area	water depth
Lavatory		15" x 10"	5"
Outlet	1-11/16" D.		
* Approximate measurements for comparison only.			
Holes	K-2869	K-2849	K-2810
Spout	1-1/8" D.	1-1/8" D.	1-3/8" D.
Faucet	1-5/16" D.	1-3/16" D.	
Soap dispenser			1-1/4" D.
Included Components:			
Hanger			64503
Accessories/hardware recommended:			
Trap			K-8998



Roughing-In Notes

Fixture dimensions are nominal and conform to tolerances in ASME Standard A112.19.2M.

*Based on K-8998, with 1" tailpiece exposed.

(T) Pop-up drain 14-1/8", grid drain 13-1/4".

Supply (Based on 12" riser which may require cutting).	K-2849	K-2869
	K-2810	
(S)	10"	14"

.95<116

K-2810, K-2849, K-2869 Hudson[™] Lavatory
105058-1-CA (A)

KOHLER[®]