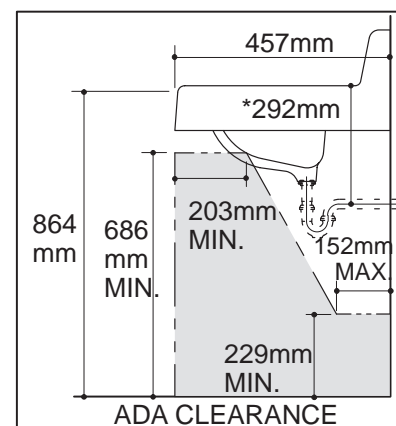
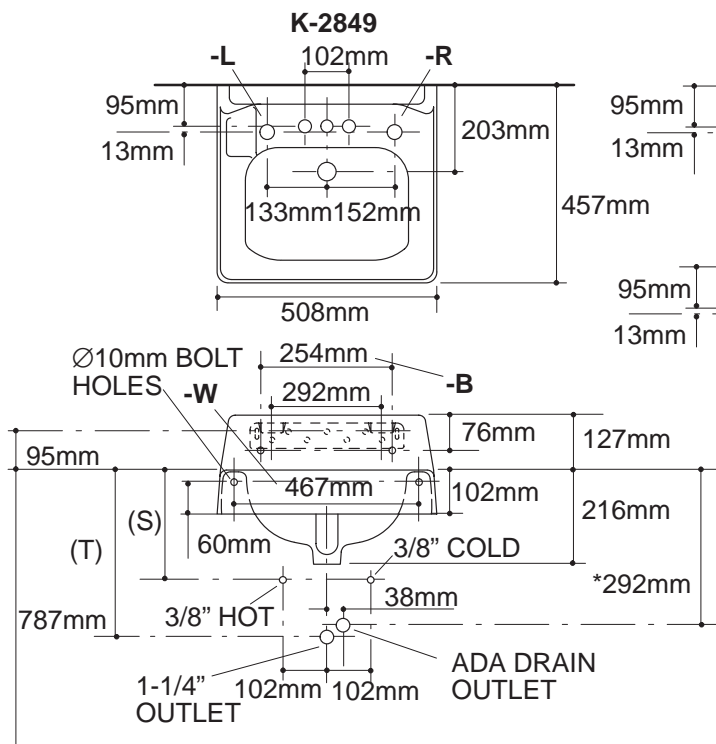


Ordering Information

Applicable product:		
102mm centers lavatory	K-2849	shown
soap dispenser on left	K-2849-L	
soap dispenser on right	K-2849-R	
w/ 292mm thru bolt holes & soap dispenser on left	K-2849-B	
& soap dispenser on right	K-2849-RB	
w/ 467mm thru bolt holes	K-2849-W	
203mm centers lavatory	K-2869	not shown
soap dispenser on right	K-2869-R	
w/ 292mm thru bolt holes & soap dispenser on right	K-2869-RB	
Single-hole lavatory	K-2810	not shown
soap dispenser on left	K-2810-L	
soap dispenser on right	K-2810-R	
w/ 292mm thru bolt holes & soap dispenser on left	K-2810-B	
& soap dispenser on right	K-2810-RB	

Product Information

ADA compliant.			
Fixture*:		basin area	water depth
Lavatory		381 x 254mm	127mm
Outlet	Ø43mm		
* Approximate measurements for comparison only.			
Holes	K-2869	K-2849	K-2810
Spout	Ø29mm	Ø29mm	Ø35mm
Faucet	Ø33mm	Ø33mm	
Soap dispenser			Ø38mm
Included Components:			
Hanger			64503
Accessories/hardware recommended:			
Trap			K-8998



Roughing-In Notes

Fixture dimensions are nominal and conform to tolerances in ASME Standard A112.19.2M.

*Based on K-8998, with 25mm tailpiece exposed.

(T) Pop-up drain 359mm, grid drain 337mm.

Supply (Based on 12" riser which may require cutting).	K-2849 K-2810	K-2869
(S)	254mm	356mm

.95<116

K-2810, K-2849, K-2869 Hudson™ Lavatory
105058-1M-CA (-)

KOHLER®