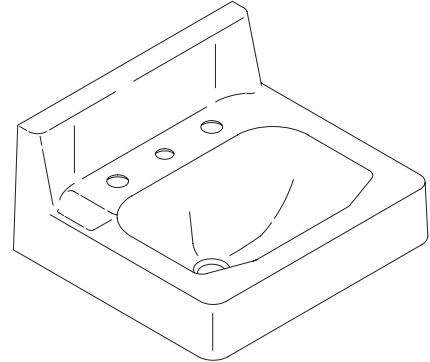


### WALL-MOUNT LAVATORY

# K-2812, K-2867, K-2868

ADA



### FEATURES

- 20" x 18"
- Cast iron
- Wall-mount
- 8" centers (K-2868), 4" centers (K-2867), or single-hole (K-2812) drilling
- With overflow
- ADA compliant
- Lugs for chair carrier
- Optional soap dispenser hole on left (-L) or right (-R)
- 11-1/2" thru bolt holes (-B)

### CODES/STANDARDS APPLICABLE

Specified model meets or exceeds the following:

- ADA
- ASME/ANSI A112.19.2M
- CABO/ANSI A117.1
- IAPMO/UPC
- CSA International B45
- State of Massachusetts

### HOLE OPTIONS

- L Soap dispenser hole on left
- R Soap dispenser hole on right
- B 11-1/2" thru bolt holes

### COLORS/FINISHES

- 0 White
- Other Refer to Fixtures Price Book for additional colors

#### Accessories:

- CP Polished Chrome
- Other Refer to Faucets Price Book for additional finishes

### SPECIFIED MODEL:

Model	Description	Hole Options			Colors	
		-L	-R	-B	0 White	Other
K-2812	Single-hole lavatory	<input type="checkbox"/>	<input type="checkbox"/>	<input type="checkbox"/>	<input type="checkbox"/>	<input type="checkbox"/>
K-2867	4" centers lavatory	<input type="checkbox"/>	<input type="checkbox"/>	<input type="checkbox"/>	<input type="checkbox"/>	<input type="checkbox"/>
K-2868	8" centers lavatory	<input type="checkbox"/>	<input type="checkbox"/>	<input type="checkbox"/>	<input type="checkbox"/>	<input type="checkbox"/>

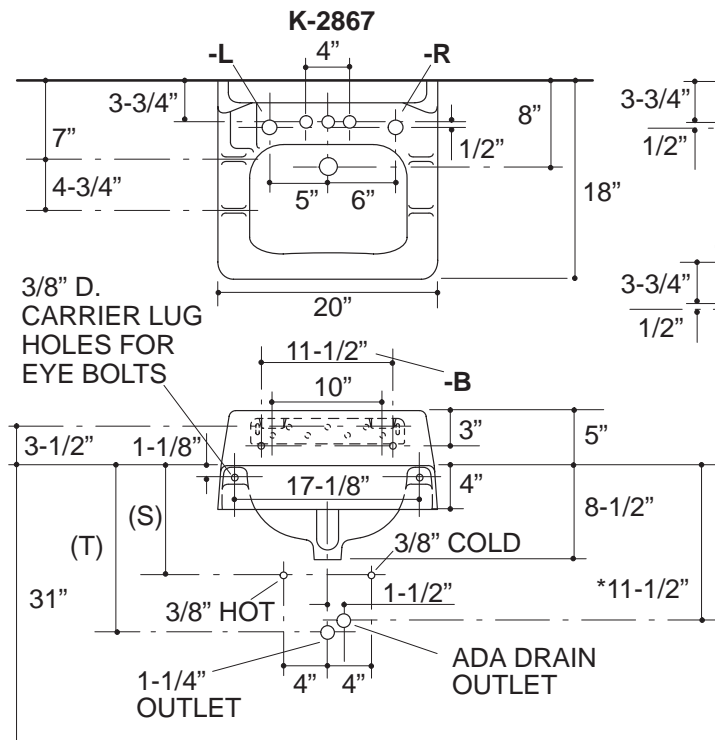
Recommended Accessories	
K-8998	Trap <input type="checkbox"/> CP <input type="checkbox"/> Other_____

### PRODUCT SPECIFICATION:

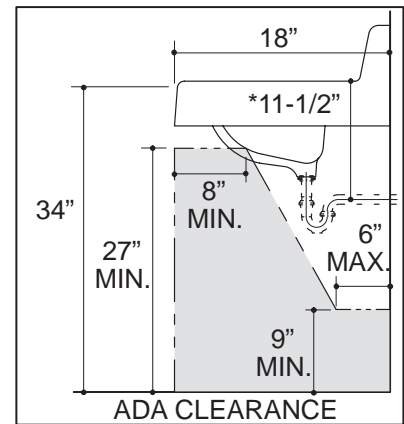
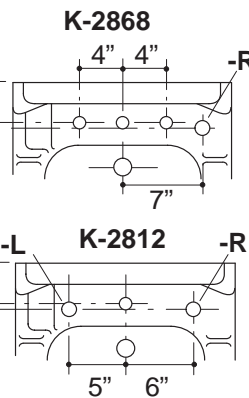
The wall-mount lavatory with back, shall be 20" in length, and 18" in width. Lavatory shall be made of cast iron. Lavatory shall have 8" centers (K-2868), 4" centers (K-2867), or single-hole (K-2812) drilling. Lavatory shall have overflow. Lavatory shall be ADA compliant. Lavatory shall have lugs for chair carrier. Lavatory shall have soap dispenser hole on left (-L) or right (-R). Lavatory shall have 11-1/2" thru bolt holes (-B). Lavatory shall be Kohler Model K-\_\_\_\_\_-\_\_\_\_\_-\_\_\_\_\_.

## PRODUCT INFORMATION

ADA compliant.			
Fixture*:		basin area	water depth
Lavatory		15" x 10"	5"
Outlet	1-11/16" D.		
* Approximate measurements for comparison only.			
Holes	<b>K-2868</b>	<b>K-2867</b>	<b>K-2812</b>
Spout	1-1/8" D.	1-1/8" D.	1-3/8" D.
Faucet	1-5/16" D.	1-3/16" D.	
Soap dispenser			1-1/4" D.
Included Components:			
Hanger	64503		



.95<116



### Roughing-In Notes

\*Based on K-8998, with 1" tailpiece exposed.

(T) Pop-up drain 14-1/8", grid drain 13-1/4".

Supply (Based on 12" riser which may require cutting).	K-2867 K-2812	K-2868
(S)	10"	14"

## PRODUCT DIAGRAM