

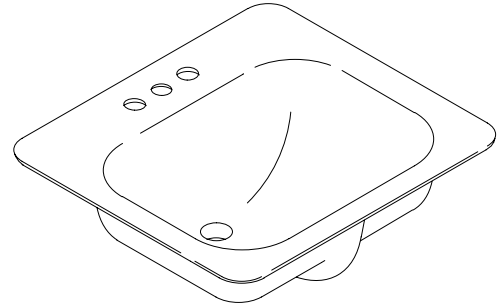
COUNTERTOP LAVATORY

K-2890

ADA

FEATURES

- 20" x 18"
- Cast iron
- Metal frame mounting
- 4" centers
- With overflow
- ADA compliant



CODES/STANDARDS APPLICABLE

Specified model meets or exceeds the following:

- ADA
- ASME/ANSI A112.19.1M
- CABO/ANSI A117.1
- Canadian Standards Association (CSA)
- State of Massachusetts

COLORS/FINISHES

- 0 White
- Other Refer to Fixtures Price Book for additional colors

Accessories:

- CP Polished Chrome
- Other Refer to Faucets Price Book for additional finishes
- NA None Applicable

SPECIFIED MODEL:

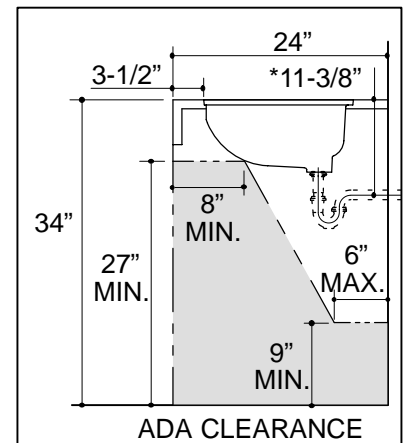
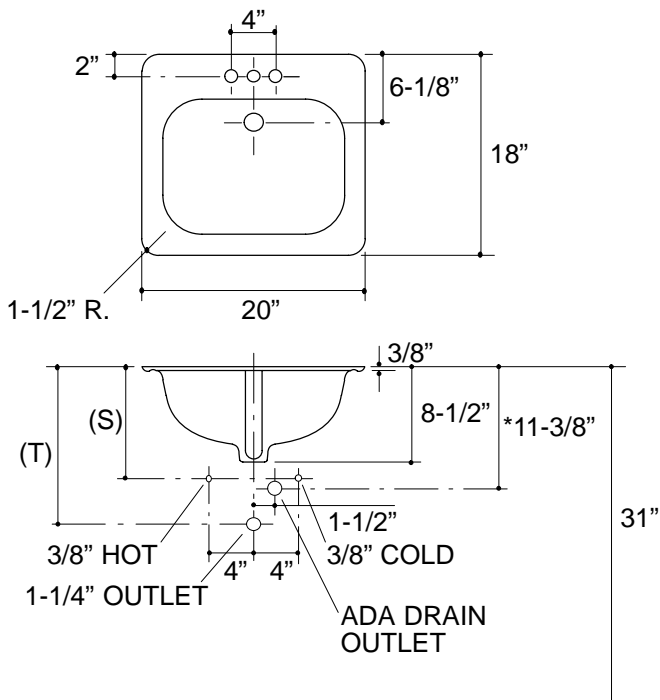
| Model | Description | Colors/Finishes | |
|--------------------------------|---------------------|----------------------------------|-------------------------------------|
| K-2890-4 | 4" centers lavatory | <input type="checkbox"/> 0 White | <input type="checkbox"/> Other_____ |
| Required Accessories | | | |
| K-6688 | Metal frame | <input type="checkbox"/> NA | |
| Recommended Accessories | | | |
| K-8998 | Trap | <input type="checkbox"/> CP | <input type="checkbox"/> Other_____ |

PRODUCT SPECIFICATION:

The countertop lavatory shall be 20" in length, and 18" in width. Lavatory shall be made of cast iron. Lavatory shall be used for mounting with metal frame (K-6688). Lavatory shall have 4" centers. Lavatory shall have overflow. Lavatory shall be ADA compliant. Lavatory shall be Kohler Model K-2890-4-_____.

PRODUCT INFORMATION

| | | | |
|---|-----------------|------------|-------------|
| ADA compliant. | | | |
| Fixture*: | | basin area | water depth |
| Lavatory | | 16" x 12" | 5" |
| Outlet | 1-11/16" D. | | |
| * Approximate measurements for comparison only. | | | |
| Holes | K-2890-4 | | |
| Spout | 1-1/8" D. | | |
| Faucet | 1-3/16" D. | | |
| Included Components: | | | |
| Overflow ferrule | | | 44071 |



Roughing-In Notes

*Based on K-8998, with 1" of tailpiece exposed.

(T) Pop-up drain 14-1/8", grid drain 13-1/4".

(S) 10" (Based on 12" riser which may require cutting).

Cutout metal frame required.

1.05>116

PRODUCT DIAGRAM