

Ordering Information

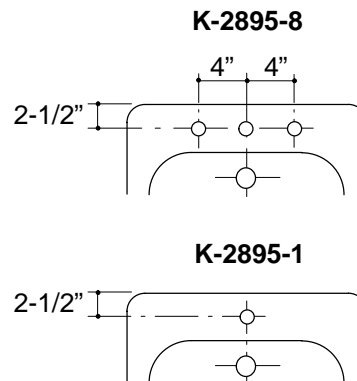
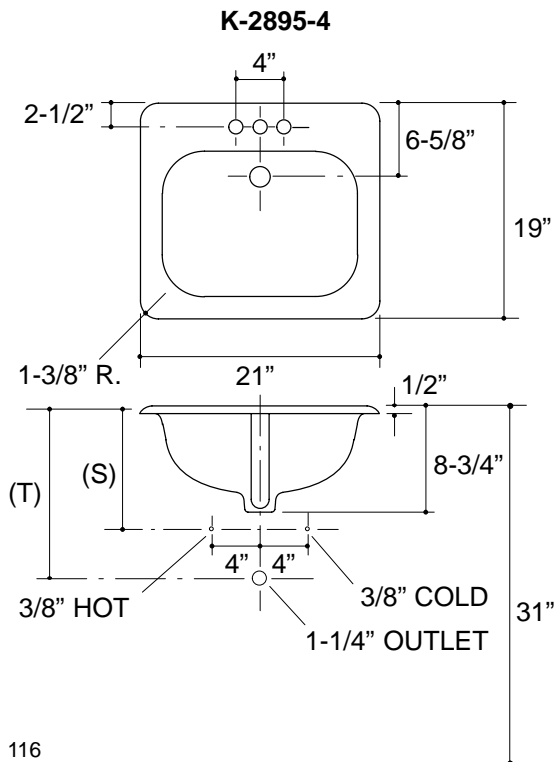
Applicable product:		
4" centers lavatory	K-2895-4	shown
8" centers lavatory	K-2895-8	not shown
Single-hole lavatory	K-2895-1	not shown
Accessories/hardware		
P-Trap	K-8998	optional

Product Information

Fixture*:		basin area	water depth
Lavatory		16" x 12"	5"
Outlet	1-11/16" D.		
* Approximate measurements for comparison only.			

Holes	K-2895-4	K-2895-8	K-2895-1
Spout	1-1/8" D.	1-1/8" D.	1-3/8" D.
Faucet	1-3/16" D.	1-5/16" D.	

Included Components:	
Overflow ferrule (1)	44071
Cutout template	116586-7



Roughing-In Notes

Fixture dimensions are nominal and conform to tolerances in ASME/ANSI Standard A112.19.1M.		
Cutout	19-3/4" x 17-3/4" with 1" radius corners.	
(T) Pop-up drain 14-3/16", drain 13-5/16"		
Supply (Based on 12" riser which may require cutting).	K-2895-4 K-2895-1	K-2895-8
(S)	10"	14"