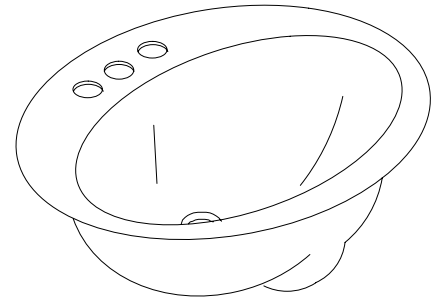


ADA

FEATURES

- 19-1/4" x 16-1/4"
- Cast iron
- Metal frame mounting
- 4" centers
- With overflow
- ADA compliant



CODES/STANDARDS APPLICABLE

Specified model meets or exceeds the following:

- ADA
- ASME/ANSI A112.19.1M
- CABO/ANSI A117.1
- IAPMO/UPC
- Canadian Standards Association (CSA)
- State of Massachusetts

COLORS/FINISHES

- 0 White
- Other Refer to Fixtures Price Book for additional colors

Accessories:

- CP Polished Chrome
- Other Refer to Faucets Price Book for additional finishes
- NA None Applicable

SPECIFIED MODEL:

Model	Description	Colors/Finishes	
K-2900-4	4" centers lavatory for mounting with metal frame	<input type="checkbox"/> 0 White	<input type="checkbox"/> Other_____
Recommended Accessories			
K-8998	Trap	<input type="checkbox"/> CP	<input type="checkbox"/> Other_____
Required Accessories			
K-6683	Metal frame	<input type="checkbox"/> NA	

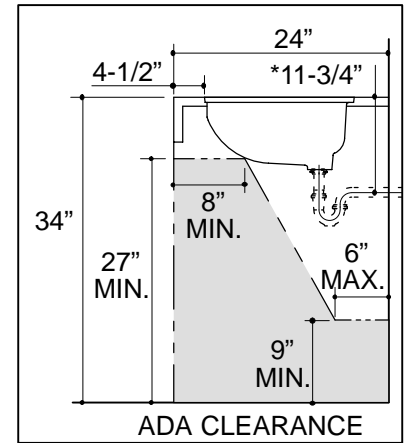
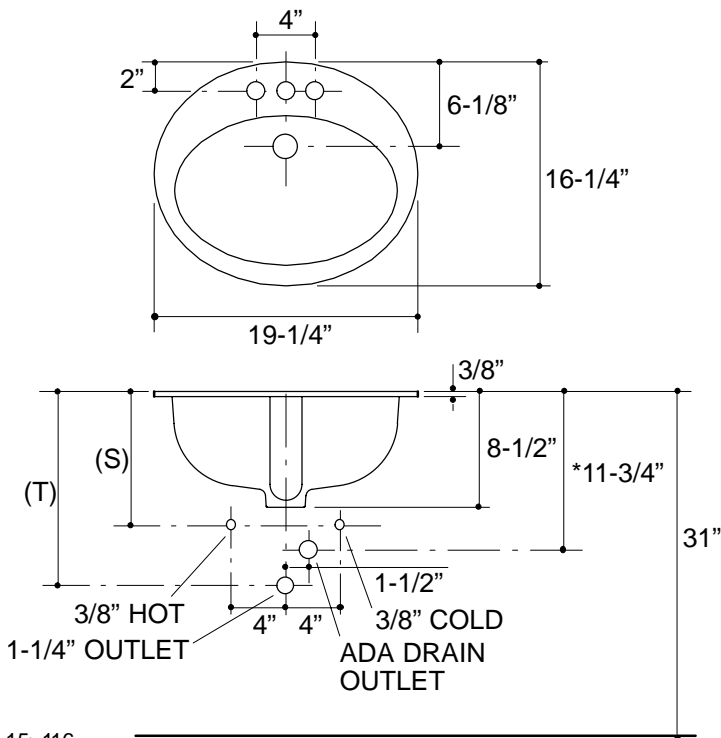
PRODUCT SPECIFICATION:

The lavatory shall be 19-1/4" in length, and 16-1/4" in width. Lavatory shall be made of cast iron. Lavatory shall be for mounting with metal frame (K-6683). Lavatory shall have 4" centers. Lavatory shall have overflow. Lavatory shall be ADA compliant. Lavatory shall be Kohler Model K-2900-4-_____.

FARMINGTON™

PRODUCT INFORMATION

ADA compliant.			
Fixture*:		basin area	water depth
Lavatory		16" x 11"	5"
Outlet	1-11/16" D.		
* Approximate measurements for comparison only.			
Holes	K-2900-4		
Spout	1-1/8" D.		
Faucet	1-3/16" D.		
Included Components:			
Overflow ferrule		44071	



Roughing-In Notes

*Based on K-8998, with 1" of tailpiece exposed.

(T) Pop-up drain 14-1/8", grid drain 13-1/4".

(S) 10" (Based on 12" riser which may require cutting).

Cutout metal frame required.

1.15>116

PRODUCT DIAGRAM